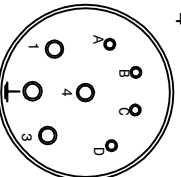
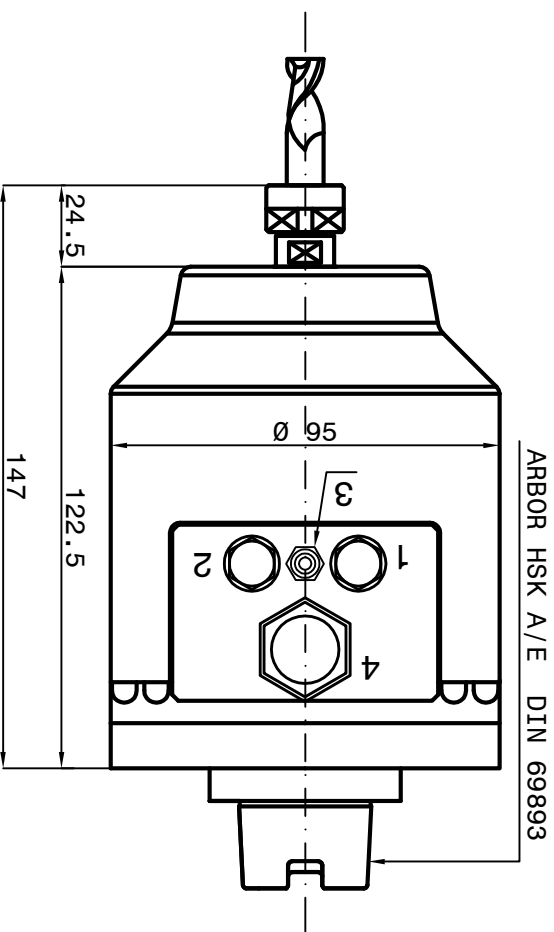
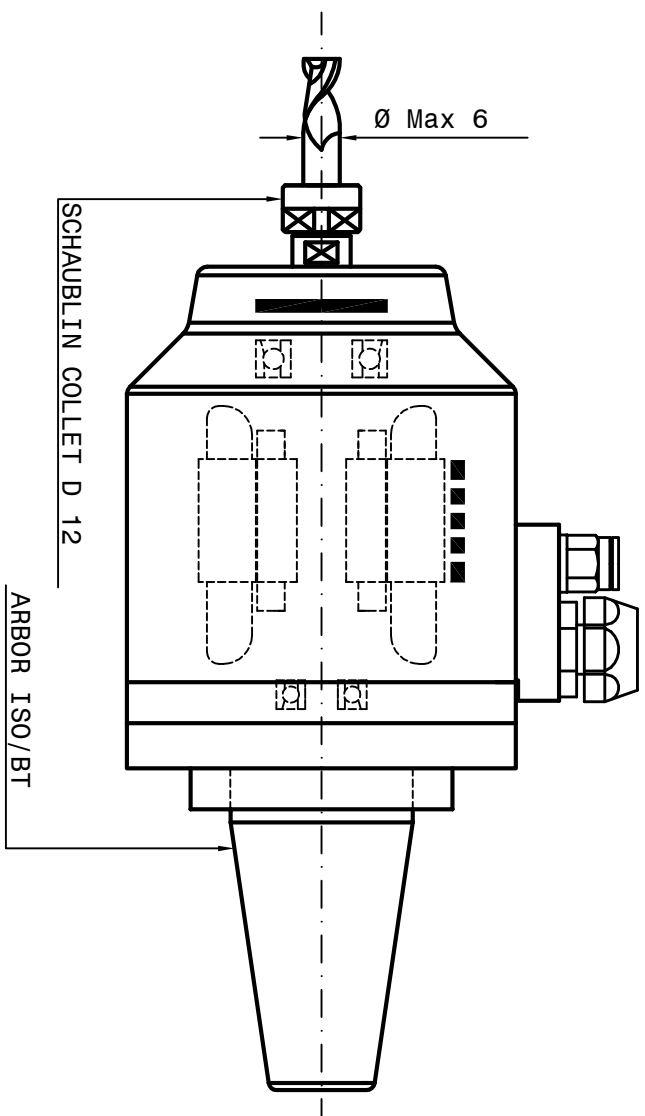


- 1-Coolant inlet (G1/8") (3-4 bar)
 - 2-Coolant outlet (G1/8")
 - 3-Front-side pressurization filtered (5µm) (1-1.5 bar) (G1/8")
 - 4-Electric connection (L=300)
- 3 Phases motor - Earth
-Motor thermal switch (N°1 NC)

SPEED	RPM	28000	44000	60000
FREQUENCY	HZ	500	750	1000
POWER (S1)	KW	0.8	1	1.6
TORQUE (S1)	Nm	0.3	0.25	0.2
TENSION	V	150	220	220
CURRENT	A	4.5	3.7	3.3



- 1 brown phase U
- 2 yellow-green Earth
- 3 blue phase V
- 4 black phase W
- A thermic switch NC
- B thermic switch NC
- C not connected
- D not connected

Person Speed
INTERNATIONAL

SUBJECT : PSI A-1
CUSTOMER :

Runout arbor 0.002mm

Sheet 1:1

Dis.n°1774-00-01

DATE : 22/08/2022