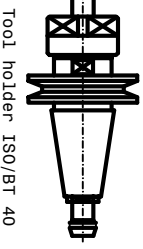
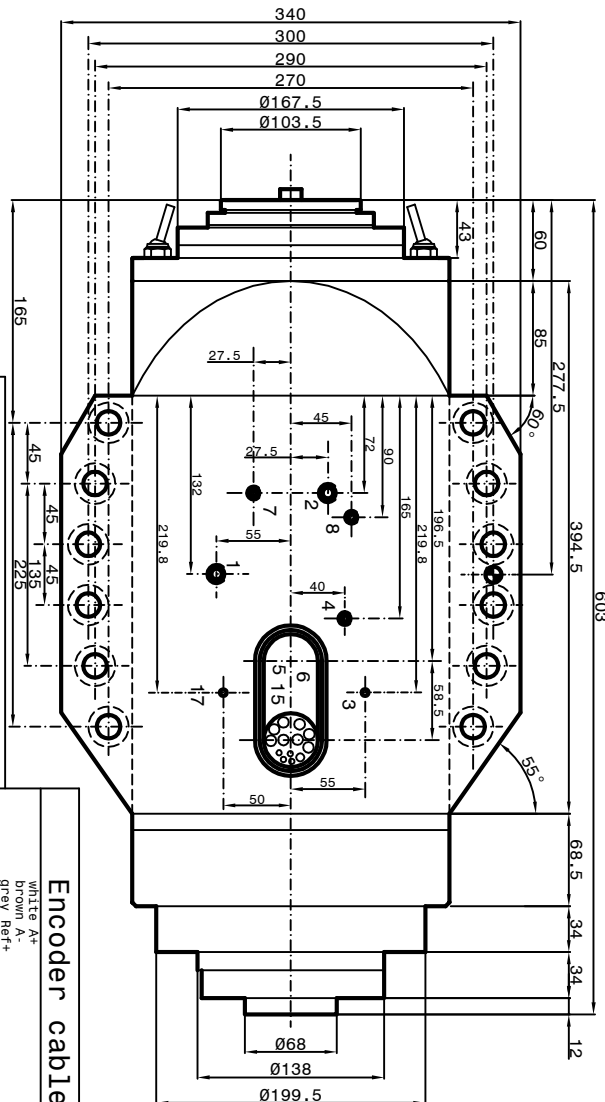
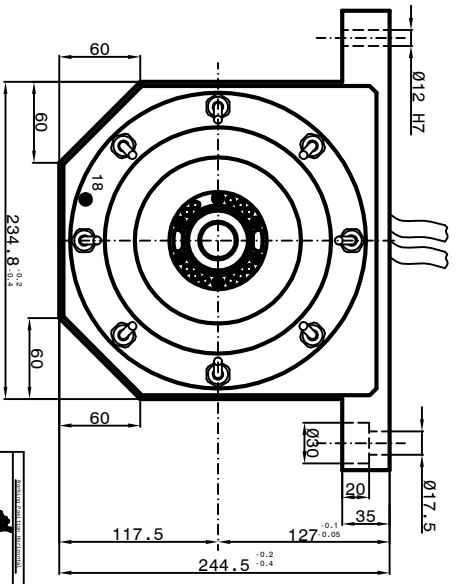


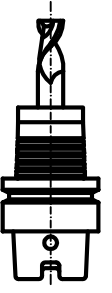
Ceramic Hybrid bearings 3xØ70

Rotary Joint
OTT 1K-GDK
Encoder L+B GEL 2444 KN
TYP - Z=256 - m=03
PT 100 Bearing's Temperature Sensor

M4, n°3 holes



Tool holder ISO/BT 40



Tool holder HSK A 63
DIN 69893

Grease Bearings Lubrication
Cooling capacity=2450 Watt

- 1-Coolant inlet (Ø1/4" (3-4 bar) (6-7 l/min).)
- 2-coolant outlet (Ø1/4")
- 3-Hydraulic pressure unclamping tool (min 80bar - max 90bar) (Ø5)
- 4-Inlet air pressure clamping tool (return piston) (bar max) (Ø1/8")
- 5-Electric connection (L=2000)
- Phases motor n°2 cables 6mm²
- Phases motor V n°2 cables 6mm²
- Earth U n°2 cables 4,5mm²
- Outlet sensor's cables (S1-S2-S5) (L=2000mm)
- S1 PNP = Piston under pressure ready
- S2 PNP = Toolholders clamped Ø4
- S5 PNP = Sensor return piston Ø4. The electrovalve can not turn.
- PT 100 bearing's temperature sensor
- Outlet encoder's cables (Gel 2444 KN) (L=2000mm)
- Motor thermal switch (N°1 PT 1000)
- 7-Front side pressurization filtered (5um) (1-1,5 bar) (Ø1/8")
- 8-Tool cooling water (Ø1/8") (20 bar)
- 17-Tool's turbo refrigerant Inlet by rotary (Ø0 bar) Inlet air absorber's cleaning (Ø bar)
- 18-rotary joint leakage outlet

Encoder cables

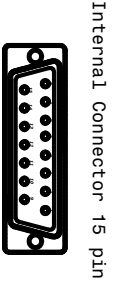
- White A+
- brown A-
- grey Ref+
- blue OV
- red Ref-
- thermal switch PT1000
- white-red thermal switch PT1000
- red +5V Dc
- pink B+
- black B-
- yellow Ref-
- green SV sensor
- screen on carcass

Signal cables

- brown +24 V DC
- blue 0 V DC
- black S1 signal
- black S2 signal
- black S5 signal
- PT 100

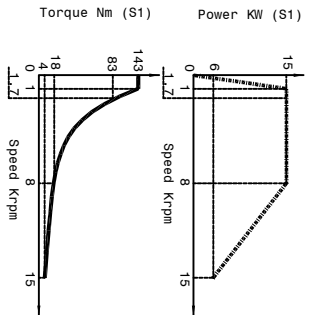
Motor cables

- blue phase V n°2 cables Ø6mm²
- black phase W n°2 cables Ø6mm²
- brown U n°2 cables Ø6mm²
- yellow-green Earth n°2 cables Ø4,5mm²



Internal Connector 15 pin

| SPEED | RPM | 1000 | 1720 | 8000 | 115000 |
|----------------|-----|------|------|------|--------|
| FREQUENCY | Hz | 37 | 59 | 267 | 500 |
| POWER (S1) | KW | 15 | 15 | 15 | 6 |
| TORQUE (S1) | Nm | 143 | 83 | 18 | 4 |
| TENSION (S1) | V | 240 | 380 | 380 | 380 |
| COURBANTE (S1) | A | 50 | 37 | 29 | 13 |



Asynchronous motor: 4 poles
Runout taper: 0.002mm

Peron Speed
INSTRUMENTAL

SUBJECT: PSI ES-208
CUSTOMER:
DATE:

Sheet: 1/1
Dis. n° 4113-00