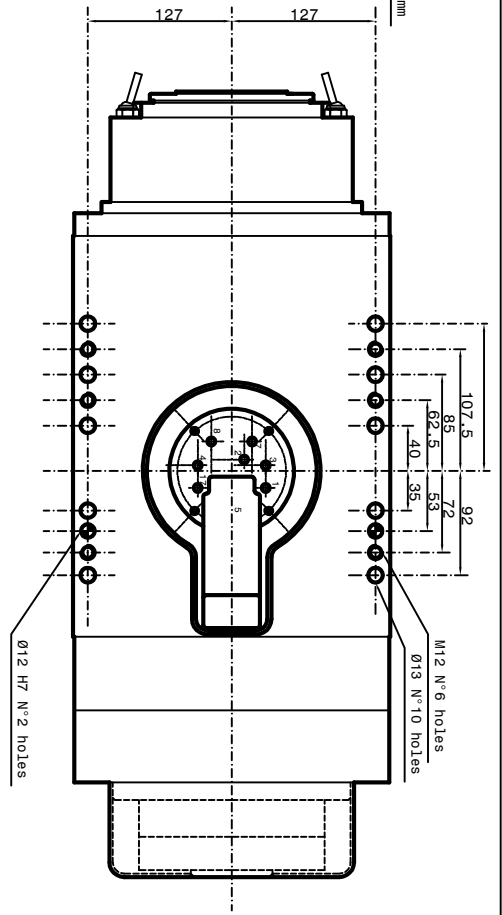
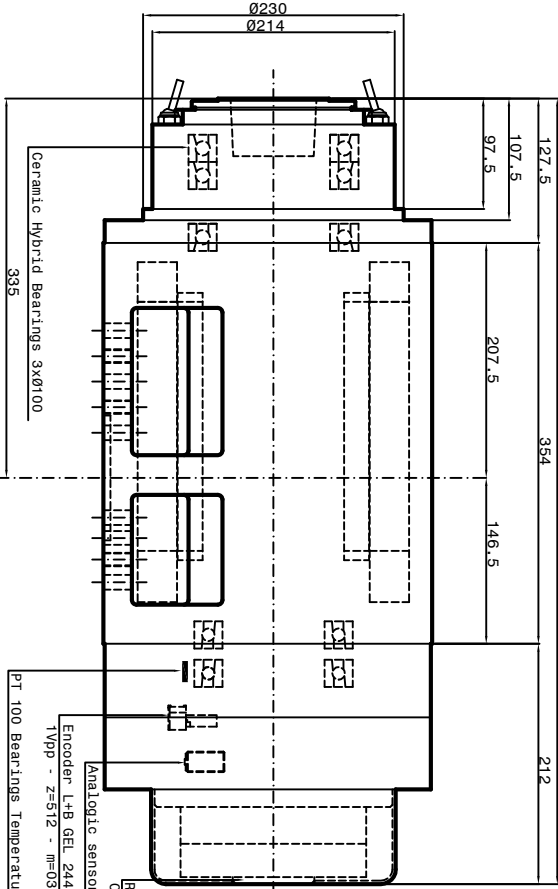
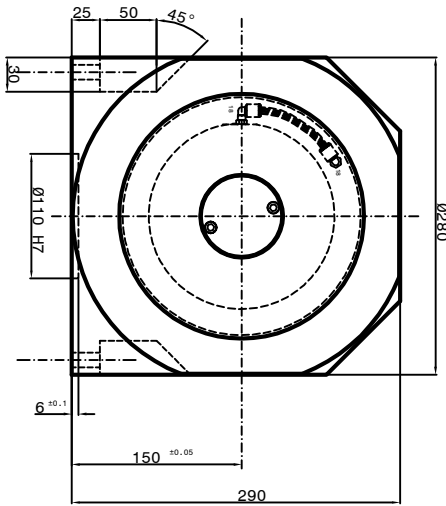


M6 n°4 holes depth 12 mm



M12 N°6 holes
M13 N°10 holes
H7 N°2 holes



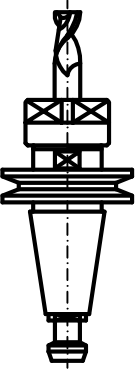
Ceramic Hybrid Bearings 3xØ100

PT 100 Bearings Temperature sensor

Rotary JOINT
OTT TK-GDK

Analogic sensor Balluff

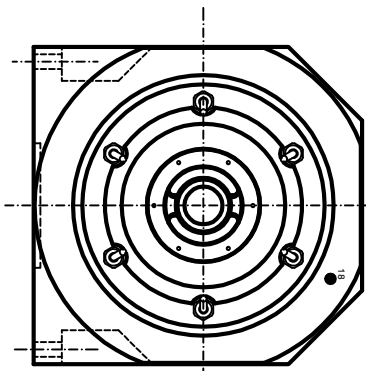
Encoder L+8 GEI 2444
TYP - Z=512 - M=03



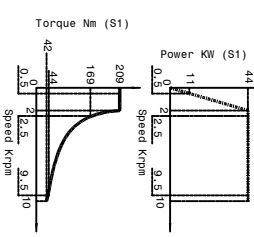
Tool holder ISO/BT 50



Tool holder HSK-A100 DIN 69893



REV.	DESCRIPTION	DATE	BY	CHK.
01	INITIAL REV.	01/01/01
02
03
04
05
06
07
08
09
10
11
12
13
14
15
16
17
18
19
20
21
22
23
24
25
26
27
28
29
30
31
32
33
34
35
36
37
38
39
40
41
42
43
44
45
46
47
48
49
50
51
52
53
54
55
56
57
58
59
60
61
62
63
64
65
66
67
68
69
70
71
72
73
74
75
76
77
78
79
80
81
82
83
84
85
86
87
88
89
90
91
92
93
94
95
96
97
98
99
100



- Coolant inlet (Ø7)(3-4 bar) (7+8 L/min.)
- Coolant outlet (Ø7)
- Hydraulic pressure unclamping tool (min 80bar - max 90bar) (Ø7)
- Inlet air pressure clamping max) (Ø7)
- Electric pump piston (L=400)
- Phases motor - Earth
- Phase-U-n°2 cables 05
- Phase-V-n°2 cables 05
- Phase-W-n°2 cables 05
- Earth-n°2 cable 05
- Outlet sensor's cables (S6)(L=400mm)
- SE Analogic sensor Balluff
- PT 100 Bearing's temperature sensor
- Outlet encoder's cables (Gel 2444 KN)(L=400mm)
- Motor thermal switch (N°1 PTC 130) n°2 cables
- Front side pressurization filtered (5um)
- Tool's cooling (Ø7) per (Ø7) 120 bar)
- Tool's lubrico refrigerant inlet by rotary (Ø0 bar) joint(Ø7)
- Inlet air amon's cleaning (6 bar)
- 18-Retary joint leakage outlet

Asynchronous motor: 6 poles
Runout taper: 0.002mm

Perron Speed
CUSTOMER:

SUBJECT: PST ES-215

Sheet: 1/1
D/S: N° 4287-00-01
DAT:

