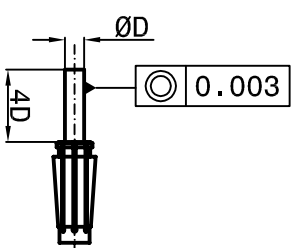
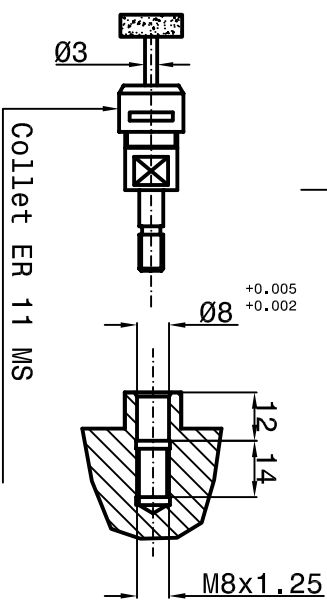
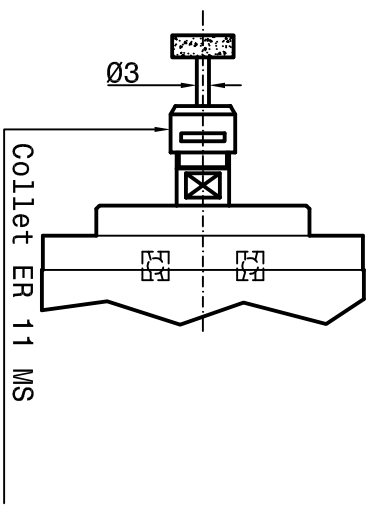
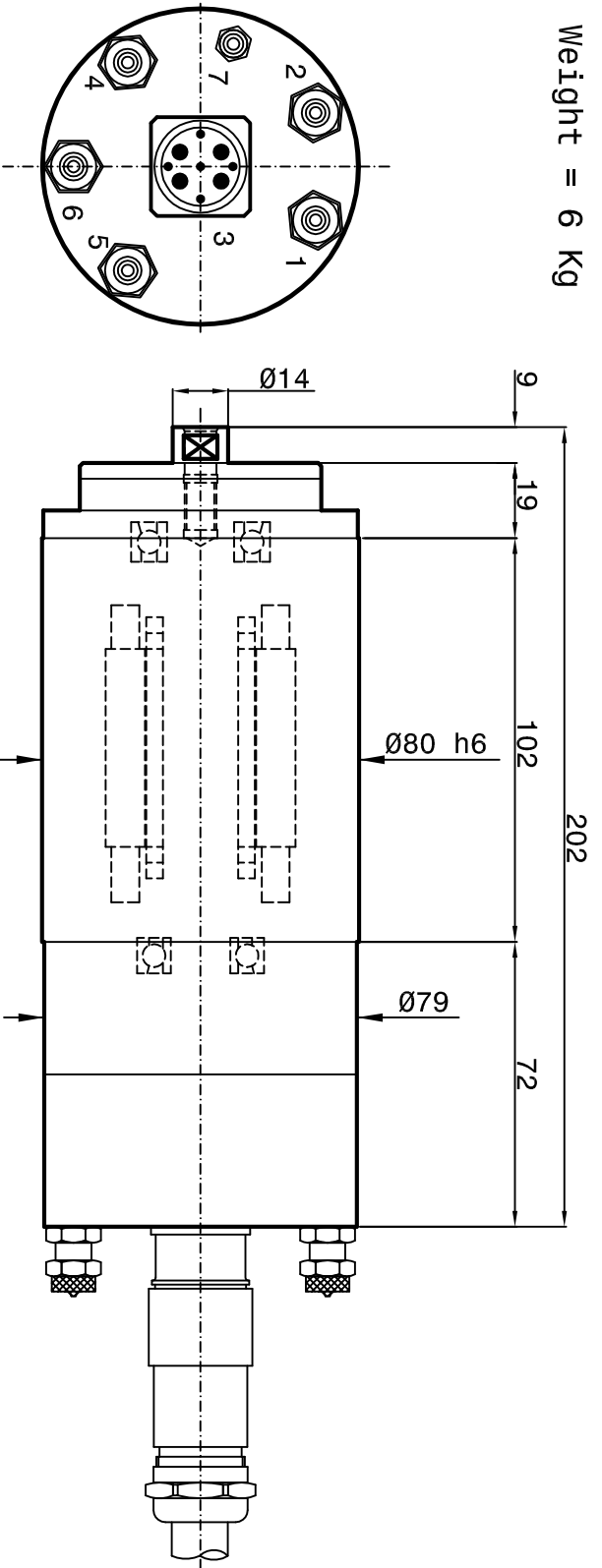


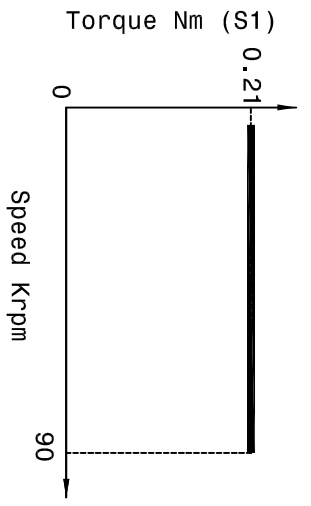
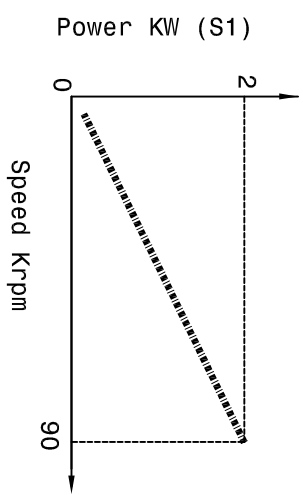
# Air-Oil Bearings Lubrication

Weight = 6 Kg

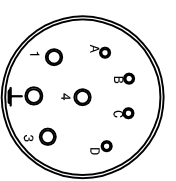


Asynchronous motor : 2 poles Runout taper 0.002mm

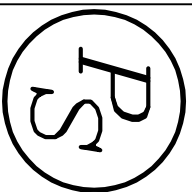
SPEED	RPM	90000
FREQUENCY	Hz	1500
POWER (S1)	KW	2
TORQUE (S1)	Nm	0.21
TENSION	V	380
CURRENT	A	2.3



- 1-Coolant inlet (G1/8")
- 2-Coolant outlet (G1/8")
- 3-Electric connection
- Phases motor - Earth
- Motor thermich switch (N°1 PTC 130)
- 4-Front bearings Lubrication (G1/8")
- 5-Rear bearings Lubrication (G1/8")
- 6-Unloading Lubrication bearings (G1/8")
- 7-Front-side pressurization filtered (5µm) (1-1.5 bar) (G1/8")



- 1 brown phase U
- 2 yellow-green Earth
- 3 blue phase V
- 4 black phase W
- A thermic switch PTC 130
- B thermic switch PTC 130
- C not connected
- D not connected



**PERON**  
**PSPEED**

SUBJECT: PS RG-84-P  
CUSTOMER : PBA SYSTEM

Sheet: 1/1

DWG. N° 3536-00

DATA : 24/11/2014