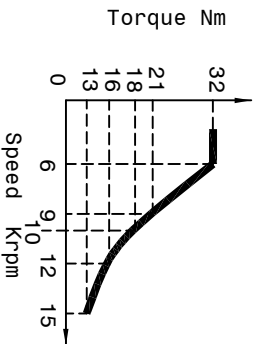
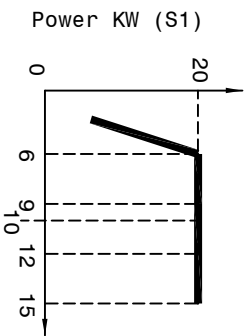
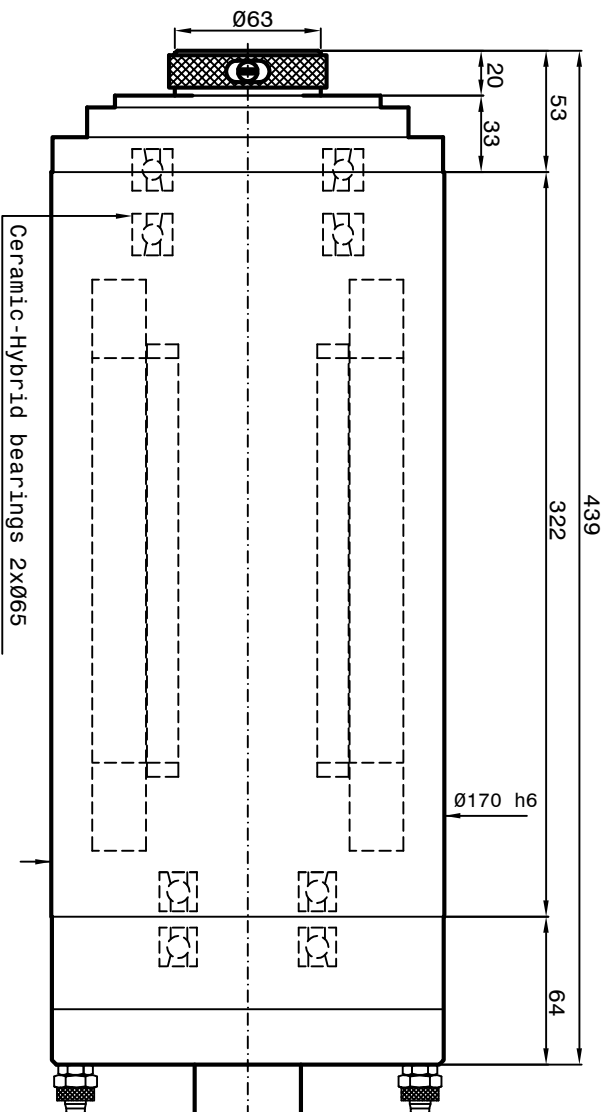
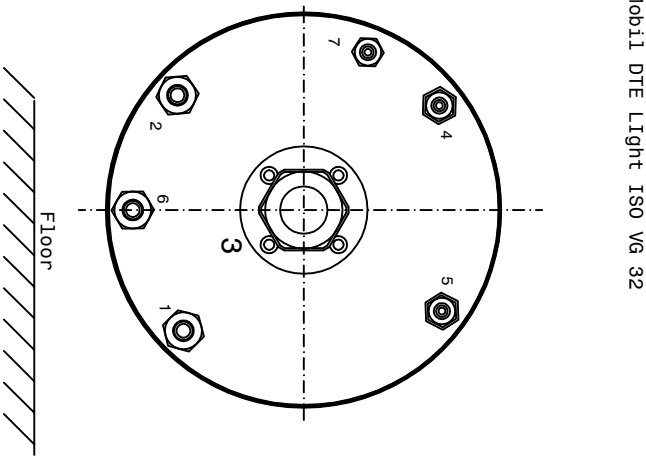
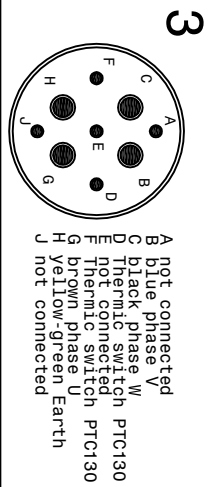


Cooling capacity = 3250 Watt
 Air-Oil Lubrication
 Mobil DTE Light ISO VG 32



SPEED	RPM	6000	9000	10000	12000	15000
FREQUENCY	Hz	205	305	341	405	500
POWER (S1)	KW	20	20	20	20	20
TORQUE (S1)	Nm	32	21	18	16	13
TENSION	V	228	340	380	380	380
CURRENT	A	71	54	51	42	38

- 1-Coolant inlet (G1/8") (3+4 bar) (4+5 L/min.)
- 2-Coolant outlet (G1/8")
- 3-Electric connection
- 4-Phases motor - Earth
- Motor thermostat switch (N°1 PTC 130)
- 4-Front bearings Lubrication-1 (G1/8")
- 5-Rear bearings Lubrication (G1/8")
- 6-Unloadng Lubrication bearings (G1/8") through aspiration type Festo
- VAD 1/8 (6 bar)
- 7-Front slide pressurization filtered (5µm) (1-1.5 bar) (G1/8")



Asynchronous motor : 4 poles Runout taper 0.001mm

Peron Speed
 INTERVAL

SUBJECT: PSI RGH - 172
 CUSTOMER :

Sheet: 1 / 1

Dis.n° 3816-00

DATE : 24/08/2022