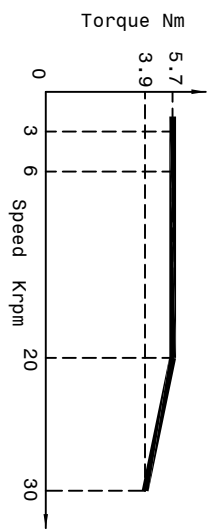
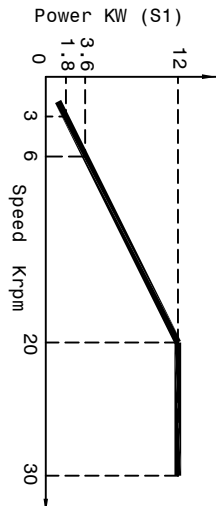
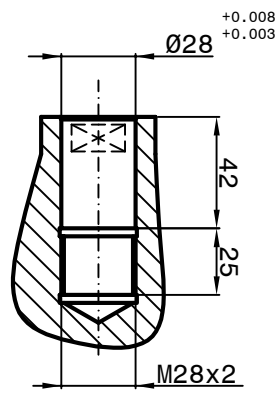
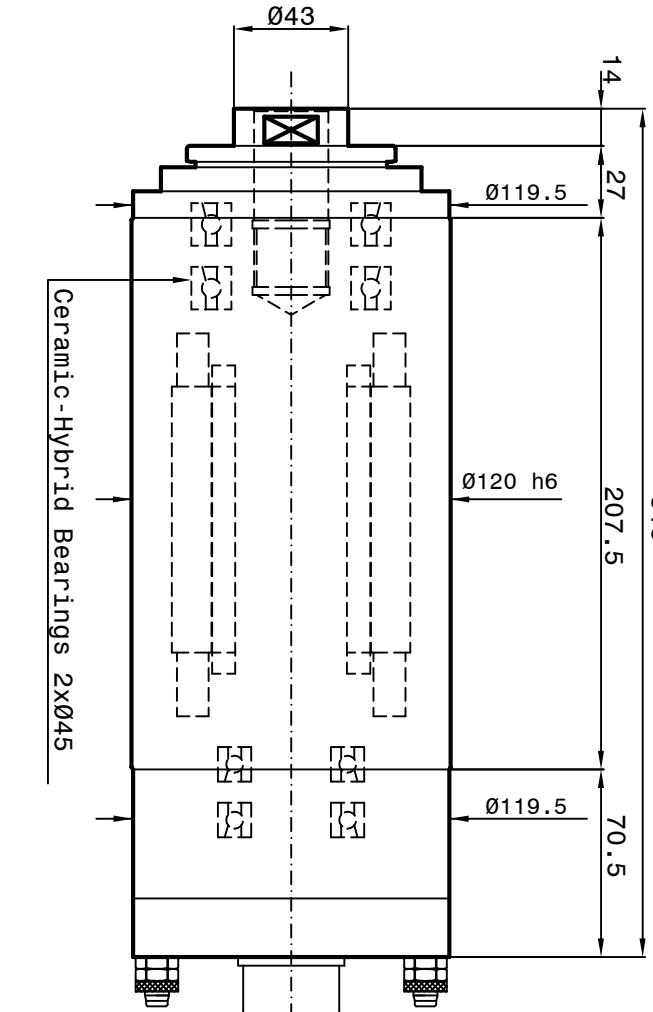
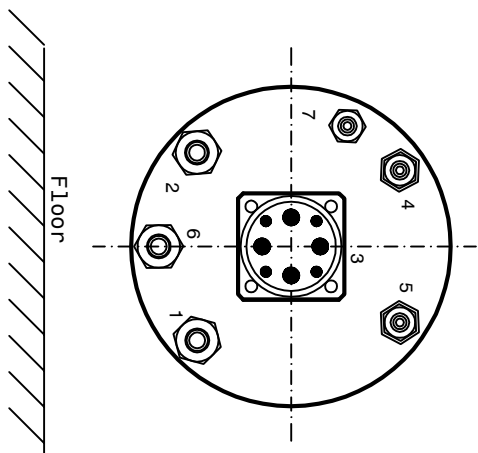


Cooling capacity = 1950 Watt
 Air-Oil Lubrication
 Mobil DTE Light ISO VG 32

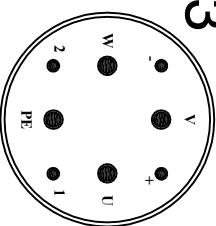


SPEED	RPM	3000	6000	20000	30000
FREQUENCY	Hz	110	210	676	1000
POWER (S1)	KW	1.8	3.6	12	12
TORQUE (S1)	Nm	5.7	5.7	5.7	3.9
TENSION	V	60	109	350	350
CURRENT	A	27	27	27	26

Asynchronous motor : 4 poles Runout taper 0.001mm

- 1-Coolant inlet (Ø1/8" (3±4 bar) (4±5 L/min.)
- 2-Coolant outlet (Ø1/8")
- 3-Electric connection
- 3Phases motor - Earth Motor thermic switch (N°1 PTC 130)
- 4-Front bearings Lubrication (Ø1/8")
- 5-Rear bearings Lubrication (Ø1/8")
- 6-Unloading Lubrication bearings (Ø1/8") through aspiration type Festo VAD (1/8" 6 bar)
- 7-Front-side Pressurization filtered (5µm) (1-1.5 bar) (Ø1/8")

3



- V blue phase V
- W black phase W
- U brown phase U
- PE yellow-green Earth
- 1 not connected
- 2 not connected
- + thermic switch PTC 130
- thermic switch PTC 130

Peron Speed
 INTERNATIONAL

Sheet : 1 / 1 Dis.n° 5324-00 DATE : 23/08/2022

SUBJECT : PSI RGP-128
 CUSTOMER :