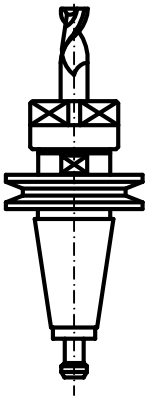
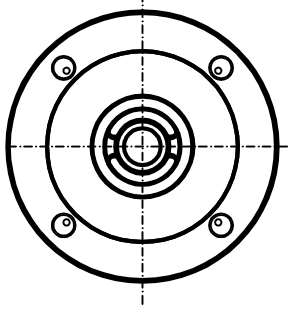
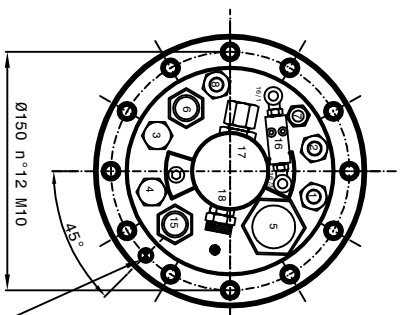
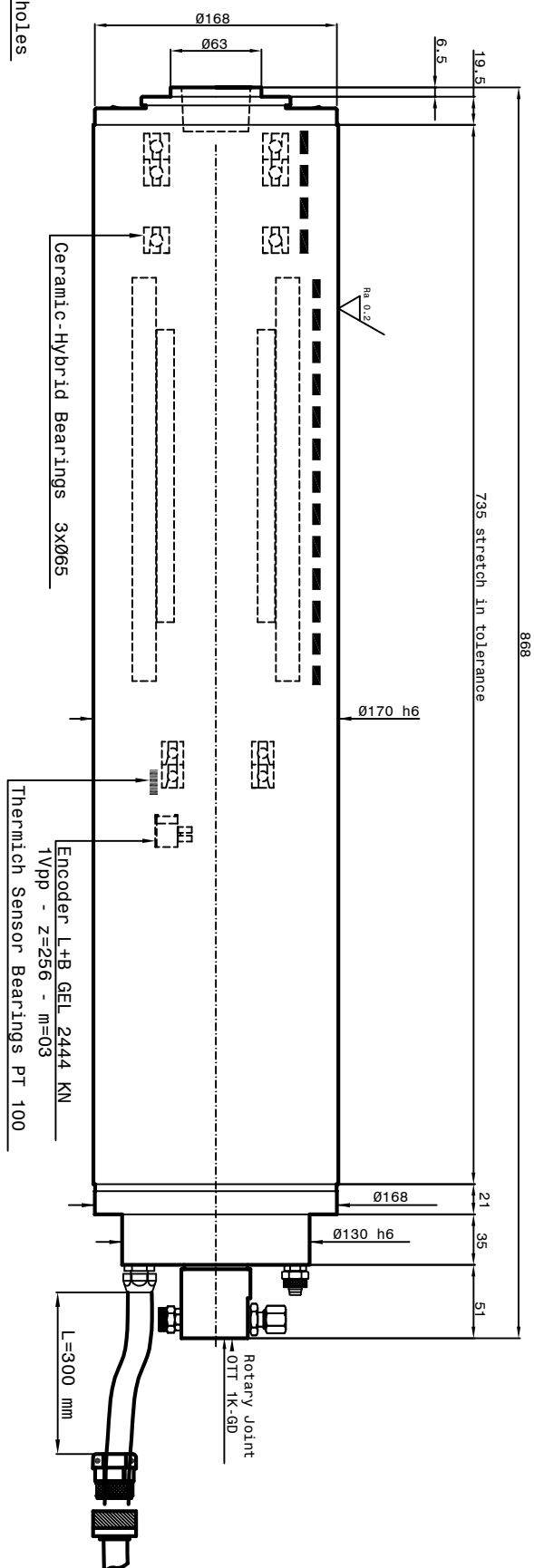


Tool Holder HSK-A63
DIN 69893

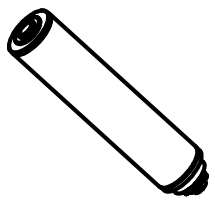


Tool holder ISO/BT 40



868

Cooling capacity = 3550 Watt
Grease bearings Lubrication



- 1-Coolant inlet (G1/8") (4+5 l/min.) (3-4 bar)
- 2-Coolant outlet (G1/8")
- 3-Hydraulic pressure unclogging tool (min 80bar - max 90bar) (G1/4")
- 4-Hydraulic pressure clamping tool (Return piston) (10bar max) (G1/4")
- 5-Electric connection (L=300)
- 3 Phases motor - Earth
- 5/a Phases U1/U3-V1/V3 n°4 cables Ø6
- 5/b Phases W1/W3-Earth n°4 cables Ø6
- 6-Outlet sensor's cables (S1-S2-S4) (L=300mm)
- S1 NNP = Toolholders clamped.
- S2 NNP = Piston under pressure ready to receive tools arbor.
- The electrospindle can not turn.
- S4 NNP = Toolholders not clamped. The electrospindle cannot turn.
- PT 100 Bearing's temperature sensor
- 7-Front-side pressurization filtered (5µm) (1-1.5 bar) (G1/8")
- 8-Tool cooling water (G1/4") (20 bar)
- 15-Tool encoder's cables (GEL 2444 KN) (L=300mm)
- Motor thermal switch (N°1 PT 1000)
- 17-Tool's Lubro refrigerant Inlet by rotary (80 bar) joint (G1/4")
- Inlet air arbor's cleaning (6 bar)
- 18-Rotary joint Leakage outlet (G1/8")

15

1 white A+
2 brown A+
3 grey Ref+
4 not connected
5 not connected
6 not connected
7 blue 0V
8 white-red thermal switch PT1000
9 female switch PT1000
10 red +5V Dc
11 pink B+
12 black B-
13 yellow Ref-
14 not connected
15 blue 0V
16 green 5V sensor
17 not connected

Bridge 0V

screen on carcass

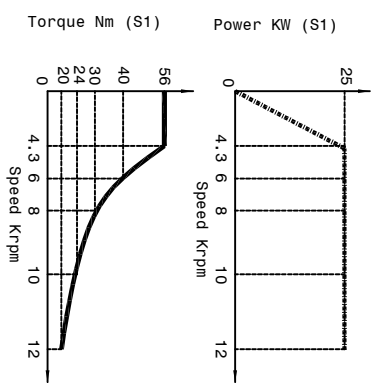
6

1 brown +24 V Dc
2 blue 0 V Dc
3 black S1 signal
4 black S2 signal
5 not connected
6 black S4 signal
7 black S3 signal
8 rear PT 100
9 rear PT 100
10 front PT 100
11 shield
12 front PT 100

5

A not connected
B blue phase V
C black phase W
D not connected
E not connected
F not connected
G brown phase U
H yellow-green Earth
J not connected

SPEED	RPM	4300	6000	8000	10000	12000
FREQUENCY	Hz	215	300	400	500	600
POWER (S1)	KW	25	25	25	25	25
TORQUE (S1)	Nm	56	40	30	24	20



Synchronous Motor: 6 poles Runout taper 0.002m

Peron Speed
INSTRUMENTAL

Sheet: 1/1 Dis: n°4975-00 DATE : 10/08/2022

SUBJECT: PSI TCV-117-SP
CUSTOMER: