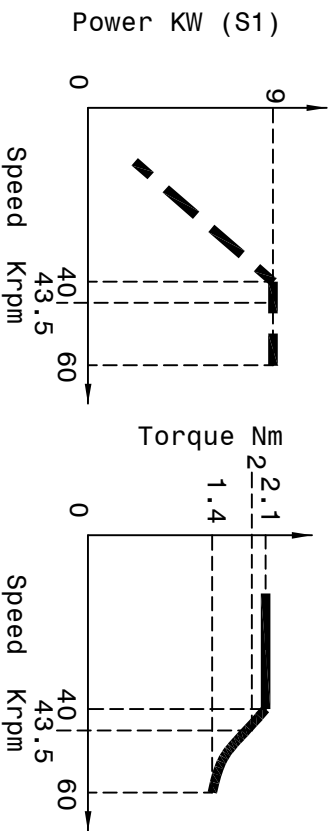
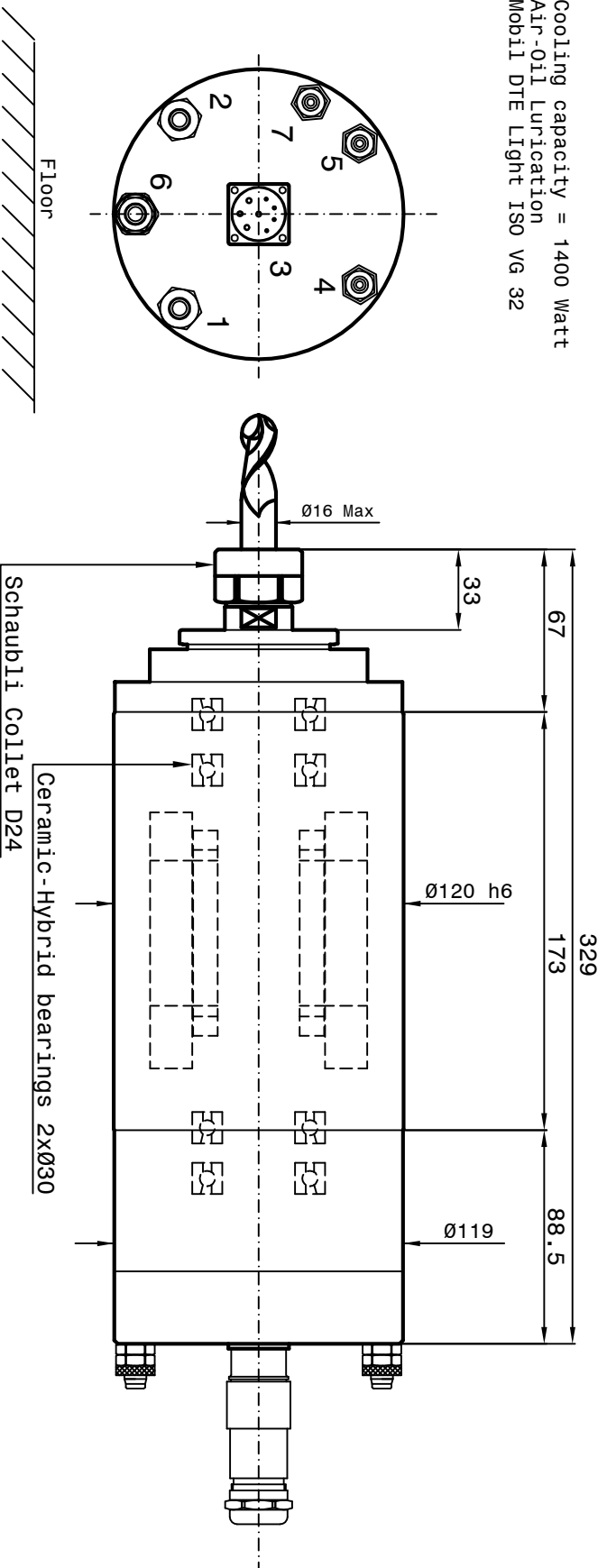


Cooling capacity = 1400 Watt  
 Air-Oil Lurrication  
 Mobil DTE Light ISO VG 32

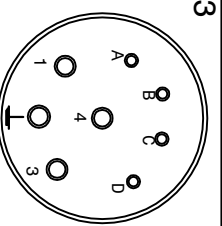


SPEED	RPM	40000	43500	60000
FREQUENCY	Hz	678	735	1000
POWER (S1)	KW	9	9	9
TORQUE (S1)	Nm	2.1	2	1.5
TENSION	V	350	380	380
CURRENT	A	18.3	17	17.2

Asynchronous motor: 2 poles

Runout taper 0.002mm

- 1-Coolant inlet (G1/8" )(3+4 bar)(3+4 L/min.)
- 2-Coolant outlet (G1/8" )
- 3-Electric connection  
3Phases motor - Earth  
Motor thermic switch (N°1 PTC 130)
- 4-Front bearings Lubrication (G1/8" )
- 5-Rear bearings Lubrication (G1/8" )
- 6-Undrading Lubrication Bearings (G1/8" )  
through aspiration type Festo
- VAD 1/8 (6 bar)
- 7-Front-side pressurization filtered (5µm)  
(1-1.5 bar) (G1/8" )



- 1 brown phase U
- 2 Yellow-green Earth
- 3 blue phase V
- 4 black phase W
- A thermic switch PTC 130
- B thermic switch PTC 130
- C not connected
- D not connected

**Person Speed**  
 INTERNATIONAL

SUBJECT : PSI RGC-122  
 CUSTOMER :

Sheet : 1 / 1

DIS. N° 5346-00

DATE : 23/08/2022