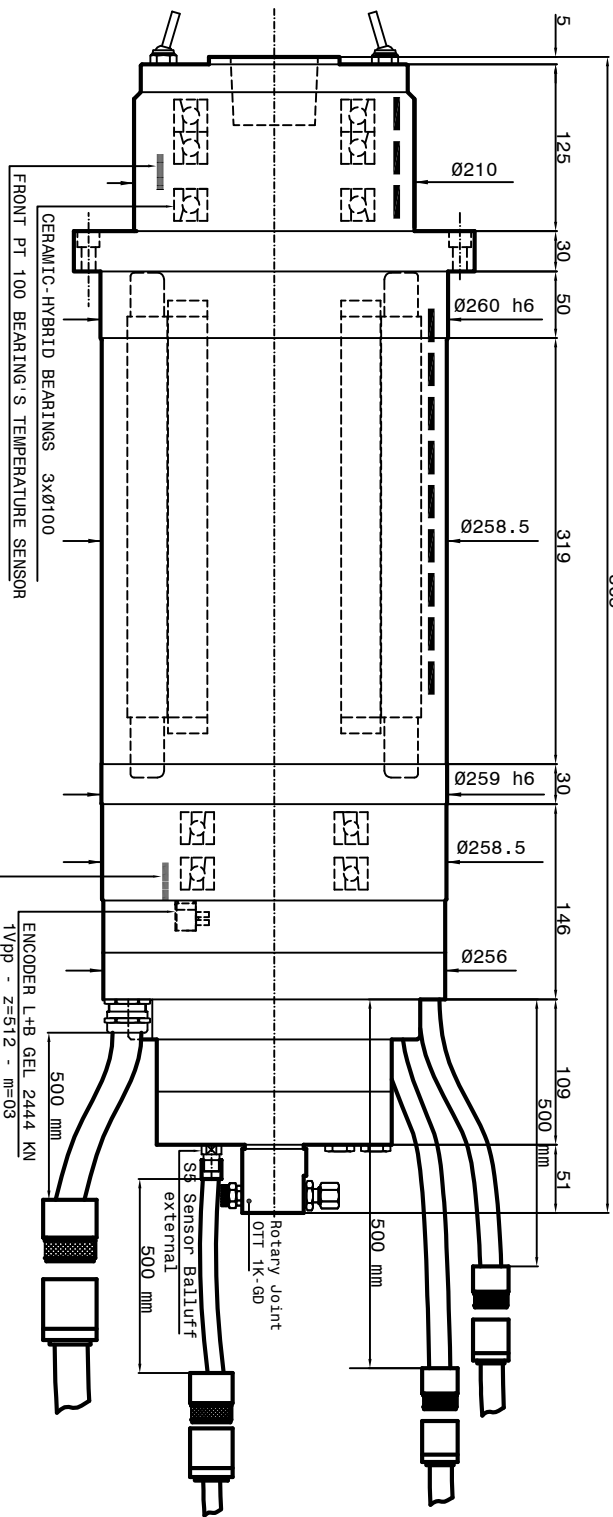
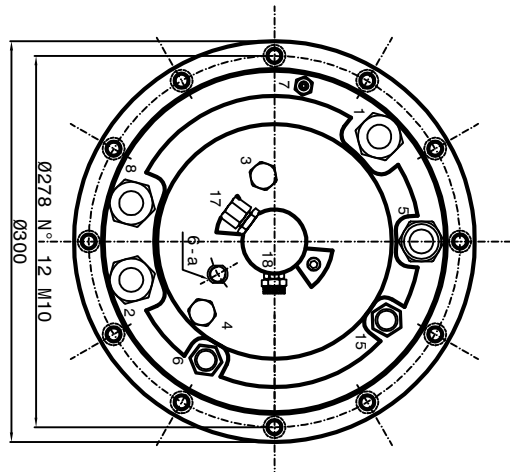
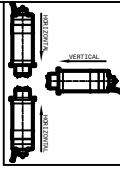
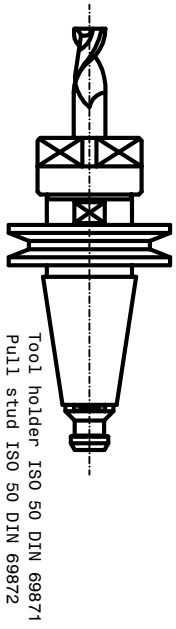
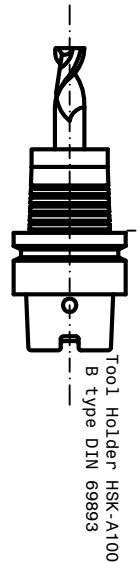
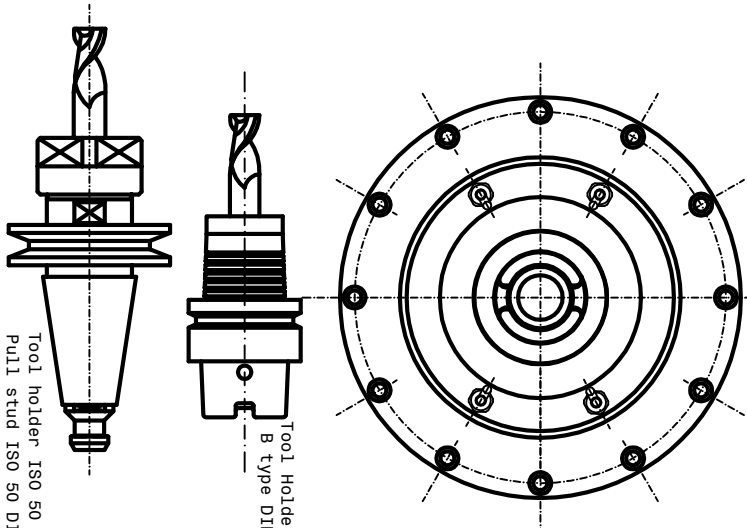


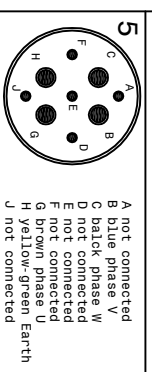
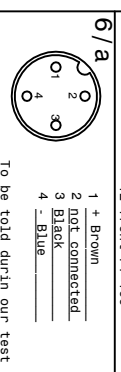
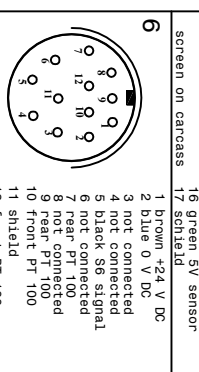
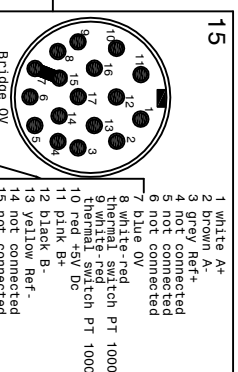
Cooling capacity = 3250 Watt
Grease Bearings Lubrication



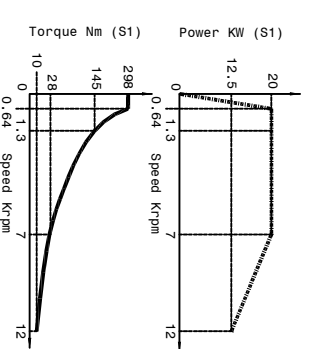
865



- 1-Coolant inlet (G1/2") (18 l/min.) (3+4 bar)
- 2-Coolant outlet (G1/2")
- 3-Hydraulic pressure unclamping tool (50bar max) (G3/8")
- 4-Hydraulic pressure clamping tool (50bar max) (G3/8")
- 5-Electric connection L=500 mm
3 Phases motor - Earth
Phase V Ø 6 n° 2 cables
Phase W Ø 6 n° 2 cables
Phase U Ø 6 n° 2 cables
Earth Ø 10 n°1 cable
- 6-Outlet sensor's cables (S6-S5) L=500mm
S6 Analogic Sensor Balluff
S5 PNP Internal = Piston resting
6/a-Outlet external sensor's cables (S5) L=500mm
S5 PNP = Piston resting
S5 PNP = Piston resting
7-Front-side pressurization filtered (5µm) (1-1.5 bar) (G1/8")
- 8-Tool cooling (G1/2") (20 bar)
- 15-Outlet encoder's cables (Gel 2444 KN)
Motor thermal switch (N°1 PT 1000) L=500mm
17-Tool's Lubro refrigerant inlet by rotary joint (G1/4") (max 80 bar)
-Inlet air arbor's cleaning (6 bar)
18-Rotary joint leakage outlet (G1/8")



SPEED	RPM	640	1300	1700	12000
FREQUENCY	Hz	47	89	470	800
POWER (S1)	KW	20	20	20	12.5
TORQUE (S1)	Nm	298	145	28	10
TENSION (S1)	V	200	380	380	380
CURRENT (S1)	A	89	70	37	23
POWER (S6-50% 2 mln.)	KW	22.5	22.5	22.5	13
TORQUE (S6-50% 2 mln.)	Nm	346.5	165	34	10.5
TENSION (S6-50% 2 mln.)	V	200	380	380	380
CURRENT (S6-50% 2 mln.)	A	101	71	43	24



Asynchronous motor: 8 poles
Runout taper: 0.002mm

Peron Speed
CUSTOMER: SUBJECT: PSI TCV-214

Sheet: 1/1 DIS. N° 2390-00-20-A DATE: 08/08/2022