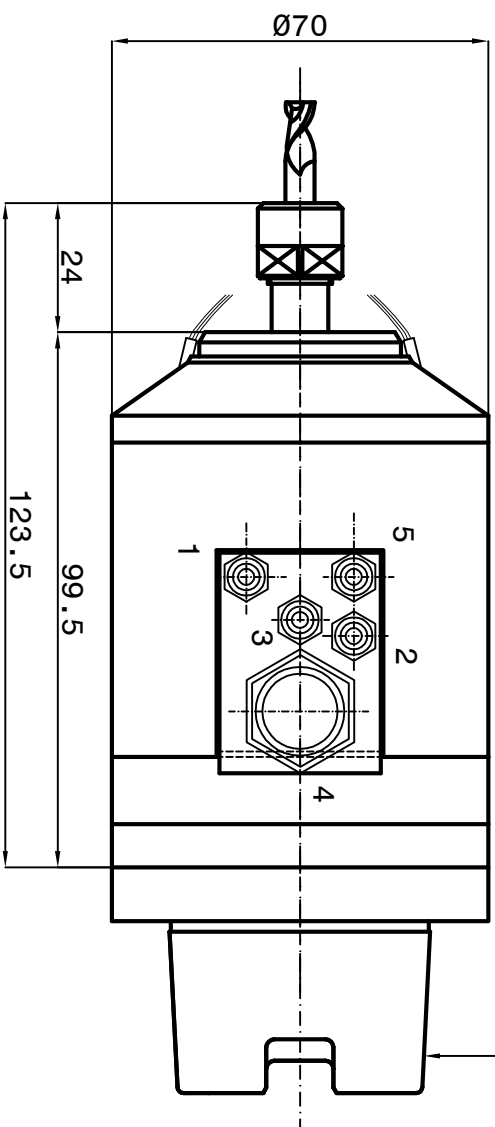


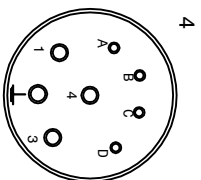
- 1-Coolant inlet (M6) (3-4 bar)
- 2-Coolant outlet (M6)
- 3-Front-side pressurization filtered (5µm) (1-1.5 bar) (G1/8")
- 4-Electric connection (L=300)
 - 3 Phases motor - Earth
 - Motor thermal switch (N°1 NC)
- 5-Tool cooling (M6) (10 bar max)

SPEED	RPM	40000	60000	80000
FREQUENCY	Hz	667	1000	1333
POWER (S1)	KW	0.4	0.6	0.8
TORQUE (S1)	Nm	0.1	0.1	0.1
TENSION	V	110	165	220
CURRENT	A	3	2.9	2.9



ARBOR HSK A/E-63 DIN 69893

Runout arbor 0.002mm



- 1 brown phase U
- 2 yellow-green Earth
- 3 blue phase V
- 4 black phase W
- A thermic switch NC
- B thermic switch NC
- C not connected
- D not connected

Peron Speed
INTERNATIONAL

SUBJECT: PSI A-01-S
CUSTOMER :

Sheet 1:1

Dis.n°1457-00-01

DATE : 22/08/2022