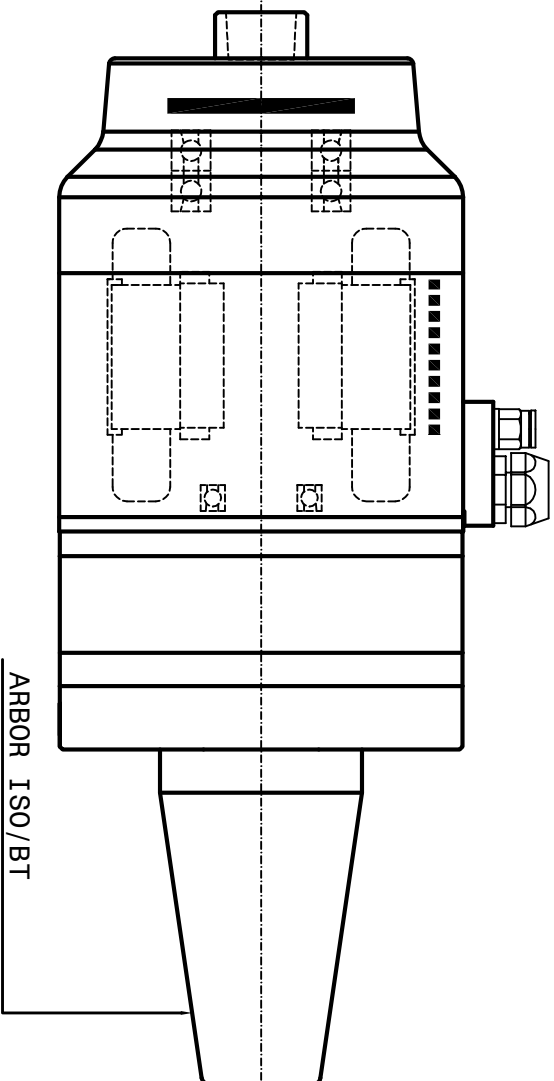
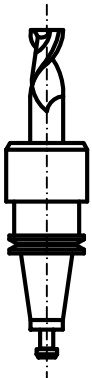


Tool holder HSK E32

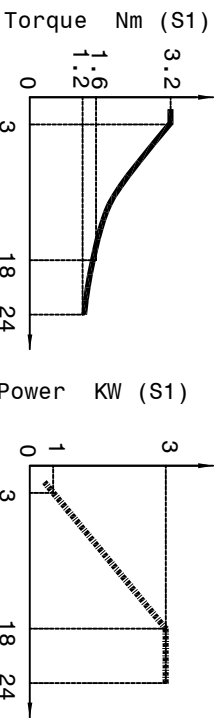


Tool Holder ISO 20/25



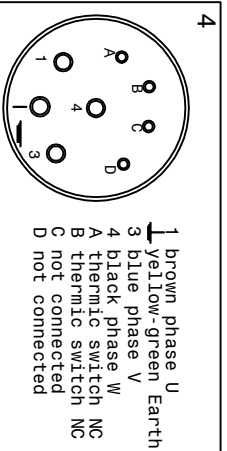
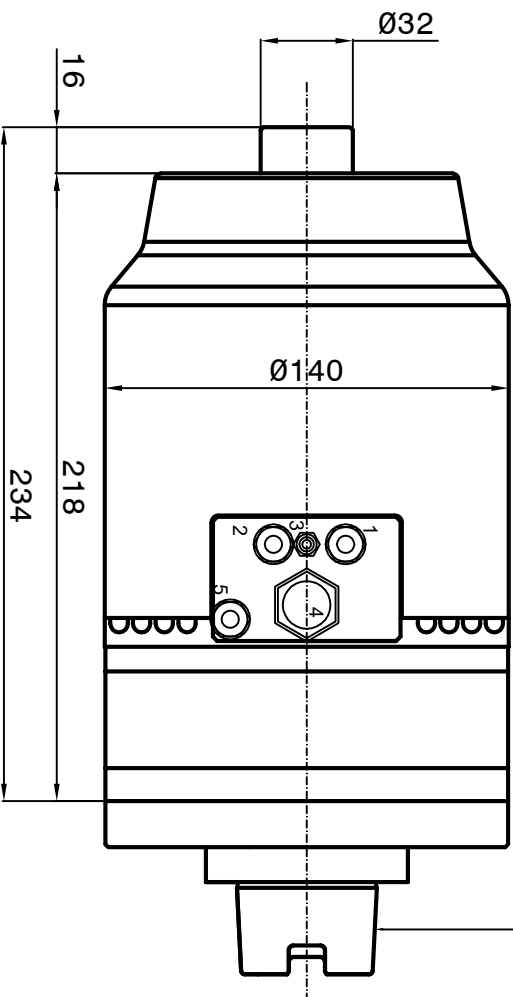
ARBOR ISO/BT

ARBOR HSK A/E DIN 69893



- 1-Coolant inlet (G1/8") (3÷4 bar)
- 2-Coolant outlet (G1/8")
- 3-Front-side pressurization filtered (5µm) (1-1.5 bar) (M6)
- 4-Electric connection (L=300)
 - 3 Phases motor - Earth
 - Motor thermal switch (N°1 NC)
- 5-Inlet air pressure unclamping tool (6 bar) (G1/8")

SPEED	RPM	3000	18000	24000
FREQUENCY	Hz	50	300	400
POWER (S1)	KW	1	3	3
TORQUE	Nm	3.2	1.6	1.2
TENSION	V	72	380	380
CURRENT	A	6.4	5.2	5.1



- 1 brown phase U
- 2 yellow-green Earth
- 3 blue phase V
- 4 black phase W
- A thermic switch NC
- B thermic switch NC
- C not connected
- D not connected

Peron Speed
INTERNATIONAL

SUBJECT: PSI A-4-TC
CUSTOMER:

Runout arbor 0.002mm

Sheet: 1/1

Dwg. n°: 622-00

DATE : 22/08/2022