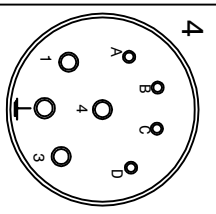
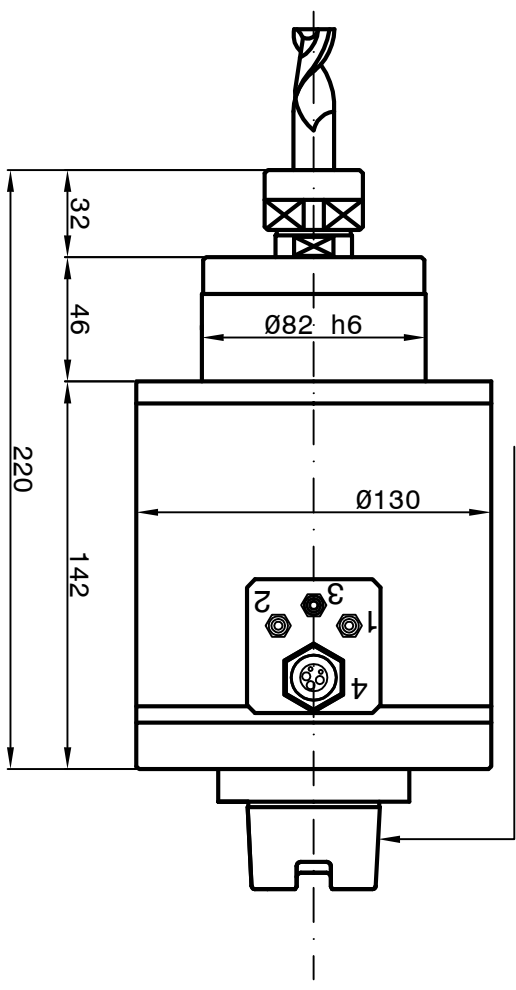
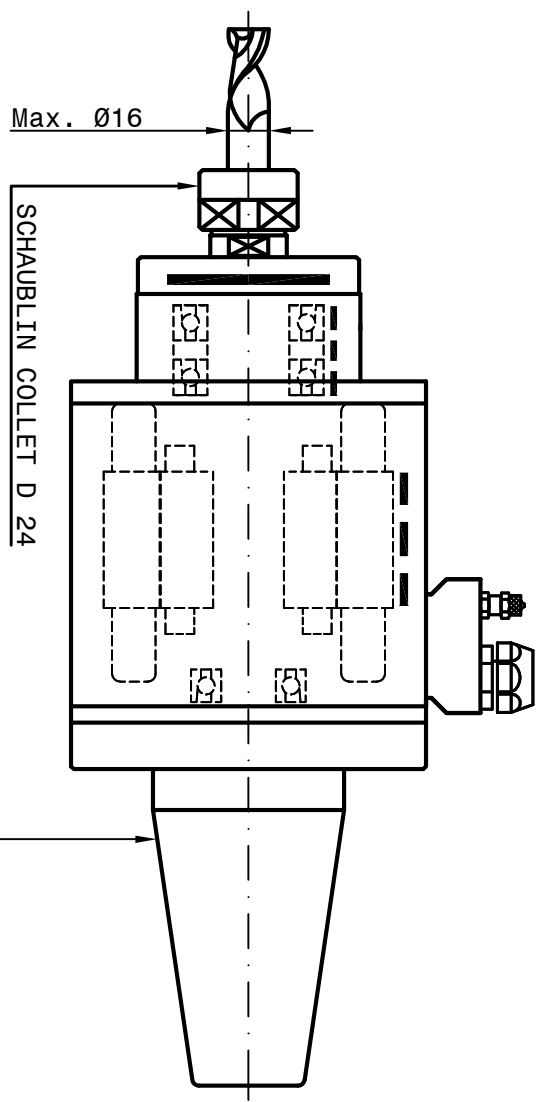


SPEED	RPM	3000	10000	30000	36000
FREQUENCY	Hz	100	334	1000	1200
POWER (S1)	KW	1.5	4	4	4
TORQUE (S1)	Nm	4.8	3.8	1.2	1
TENSION	V	100	270	380	380
CURRENT	A	11.7	11.5	8	8

- 1-Coolant inlet (M6)(3-4 bar)
- 2-Coolant outlet (M6)
- 3-Front-side pressurization filtered (5µm)  
(1-1.5 bar) (M6)
- 5-Electric connection (L=300)  
3 Phases motor - Earth  
-Motor thermal switch (N°1 PTC 130)



- 1 brown phase U
- 3 yellow-green Earth
- 4 blue phase V
- 4 black phase W
- A thermic switch PTC 130
- B thermic switch PTC 130
- C not connected
- D not connected



Runout taper 0.002mm

**Peron Speed**  
INTERNATIONAL

SUBJECT: PSI A-5  
CUSTOMER:

Sheet: 1/1 Dwg.n°: 776-00

DATE : 22/08/2022