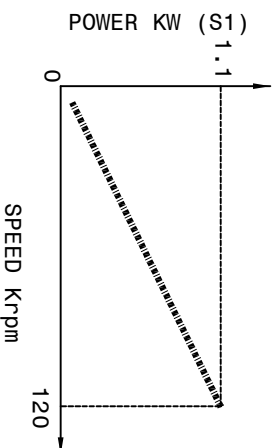
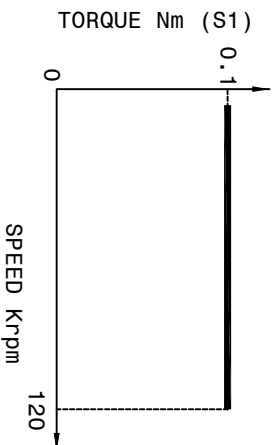
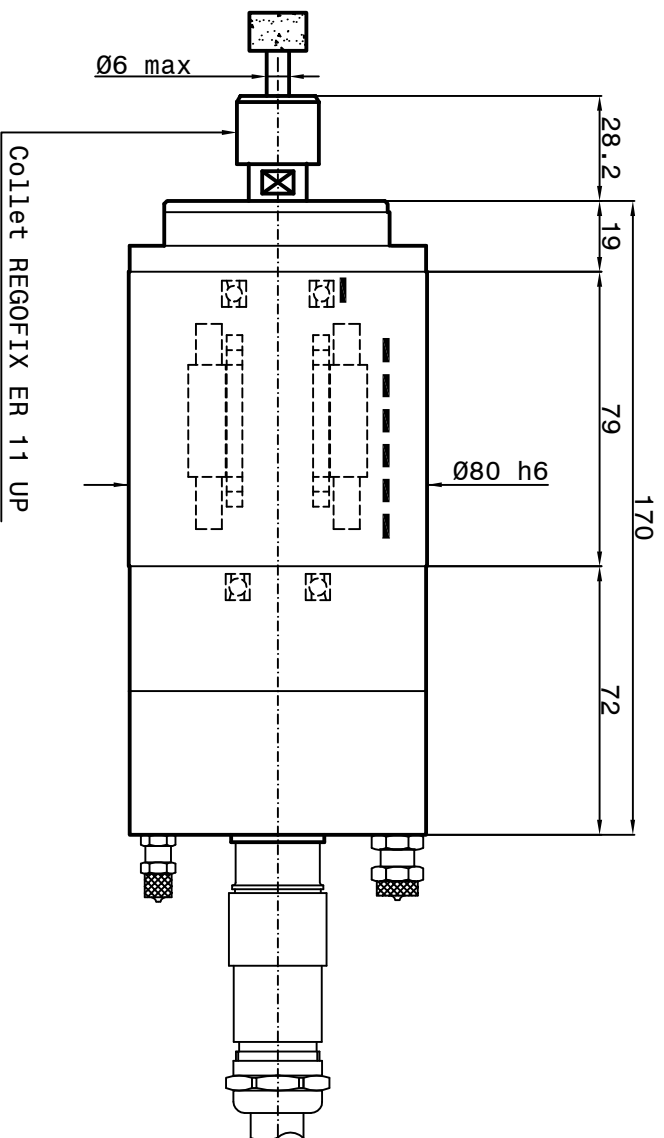
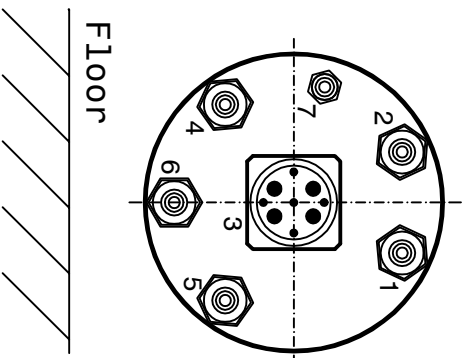


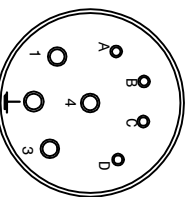
Cooling capacity = 250 Watt  
 Air-Oil Lurication  
 Mobil DTE Light ISO VG 32



SPEED	RPM	120000
FREQUENCY	Hz	2000
POWER (S1)	KW	1.1
TORQUE (S1)	Nm	0.1
TENSION	V	380
CURRENT	A	3.5

- 1-Coolant inlet (G1/8") (3+4 bar) (2±3 L/min.)
- 2-Coolant outlet (G1/8")
- 3-Electric connection  
3phases motor - Earth  
Motor thermich switch (N°1 PTC 130)
- 4-Front bearings Lubrication (G1/8")
- 5-Rear bearings Lubrication (G1/8")
- 6-unloading Lubrication bearings  
through aspiration type Festo  
VAD 1/8 (6 bar)
- 7-Front-side pressurization filtered (5µm)  
(1-1.5 bar) (M6)

3



- 1 brown phase U
- 2 yellow-green Earth
- 3 blue phase V
- 4 black phase W
- A thermic switch PTC 130
- B thermic switch PTC 130
- C not connected
- D not connected

Asincronous motor: 2 poles

Runout taper 0.002mm

**Peron Speed**  
INTERNATIONAL

SUBJECT: PSI RGC-100

CUSTOMER :

Sheet: 1/1

Dis.n°1456-00-01

DATE : 22/08/2022