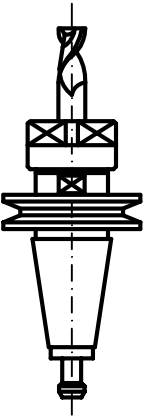
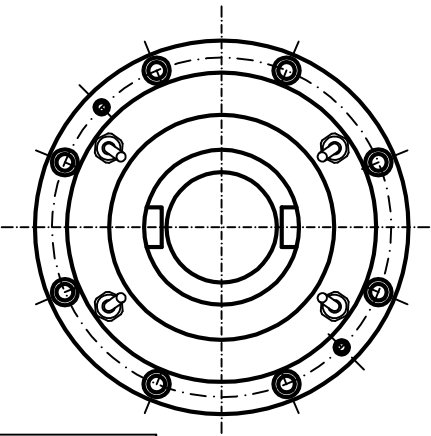
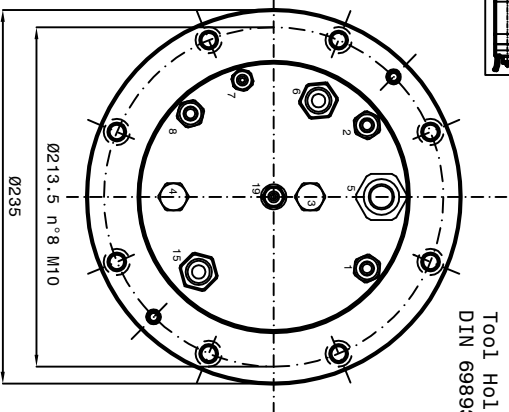
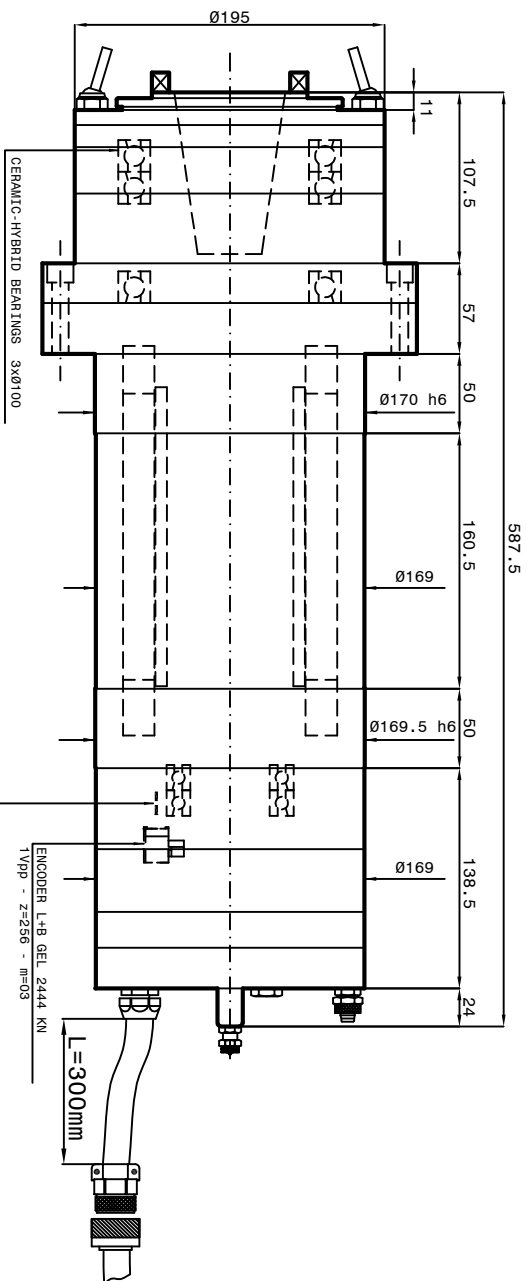


Tool Holder HSK-A63
DIN 69833



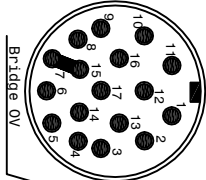
Tool holder ISO/BT 40



Cooling capacity = 4950 Watt
Grease Bearings Lubrication

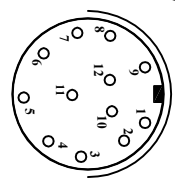
- 1-Coolant inlet (G1/4") (5 l/min.) (3-4 bar)
- 2-Coolant outlet (G1/4")
- 3-Hydraulic pressure unclamping tool (min 80bar - max 90bar) (G1/4")
- 4-Hydraulic pressure clamping tool (Return piston) (10bar max) (G1/4")
- 5-Electric connection (L=300)
 - 3 Phases motor - Earth
- 6-Outlet sensor's cables (S1-S2-S4) (L=300mm)
 - S1 NNP = Toolholders clamped.
 - S2 NNP = Piston under pressure ready to receive tools arbor.
 - The electrosprindle can not turn.
 - S4 NNP = Toolholders not clamped. The electrosprindle cannot turn.
- PT 100 Bearing's temperature sensor
- 7-Front-side pressurization filtered (5μ) (1-1.5 bar) (G1/8")
- 8-Tool cooling water (G3/8") (20 bar)
- 15-Outlet encoder's cables (Gel 2444 KN) (L=300mm)
 - Motor thermal switch (N°1 PT 1000)
 - 19-Inlet air arbor's cleaning (G1/8") (6 bar)

15



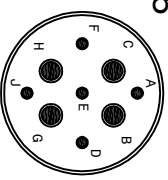
- 1 white A+
 - 2 brown A-
 - 3 grey Ref+
 - 4 not connected
 - 5 not connected
 - 6 not connected
 - 7 blue 0V
 - 8 white-red thermal switch PT 1000
 - 9 white-red thermal switch PT 1000
 - 10 red +5V DC
 - 11 pink B+
 - 12 black B-
 - 13 yellow Ref-
 - 14 not connected
 - 15 blue 0V sensor
 - 16 green 5V sensor
 - 17 not connected
- screen on carcass

6



- 1 brown +24 V DC
- 2 blue 0V DC
- 3 black S1 signal
- 4 black S2 signal
- 5 not connected
- 6 black S4 signal
- 7 not connected
- 8 not connected
- 9 not connected
- 10 PT 100
- 11 shield
- 12 PT 100

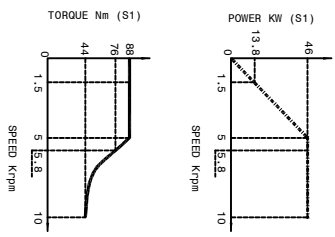
5



- A not connected
- B blue phase V
- C black phase W
- D not connected
- E not connected
- F not connected
- G brown phase U
- H yellow-green Earth
- J not connected

Choke = 0.6 mH/phase

SPEED	1500	5000	5800	10000
RPM	1500	5000	5800	10000
FREQUENCY	Hz	100	333	387
POWER (S1)	KW	13.8	46	46
TORQUE (S1)	Nm	88	88	76
TENSION	V	122	393	420
CURRENT	A	109	109	94
				68



Synchronous Motor: 8 poles
Runout taper 0.002mm

Peron Speed
INSTRUMENTAL

SUBJECT: PSI TCV-122
CUSTOMER:
DATE : 10/08/2022

Sheet: 1/1
DIS. N°4350-00