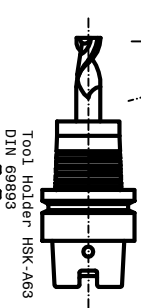
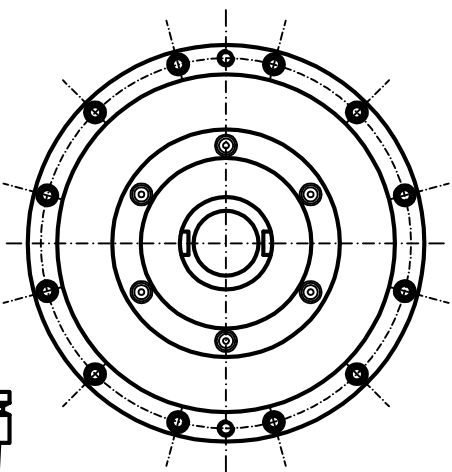


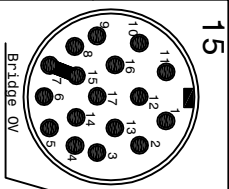
System to block the shaft by Hirt gear  
With n°12 blocking positions  
Ceramic-Hybrid Bearings 2xØ70



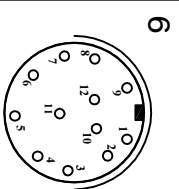
Tool holder ISO/BT 40

### Cooling capacity = 4950 Watt Grease Bearings Lubrication

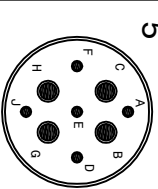
- 1-Coolant inlet (G1/2") (3x4 bar) (16 L/min.)
- 2-Coolant outlet (G1/2")
- 3-Hydraulic pressure unclamping tool (min 50bar - max 90bar) (G1/4")
- 4-Hydraulic pressure clamping tool (Return piston) (10bar max) (G1/4") (3 Phases motor - Earth)
- 5-Electric connection (L=300)
- 6-Outlet sensor's cables (S1-S2-S4-S7-S8) (L=300mm)
- S1 PNP = Toolholders clamped.
- S2 PNP = Piston under pressure ready to receive tools arbor.
- The electrospindle can not turn.
- S4 PNP = Toolholders not clamped.
- The electrospindle cannot turn.
- S7 = Sensor shaft to block.
- The electrospindle can not turn.
- S8 = Sensor shaft unblock.
- PT 100 Bearing's temperature sensor
- 7-Front-side pressurization filtered (5μ) (1-1.5 bar) (G1/8")
- 8-Tool cooling water (G3/8") (20 bar)
- 15-Outlet encoder's cables (Gel 2444 KN) (L=300mm)
- Motor thermal switch (N°1 PT 1000)
- 17-Tool's Lubro refrigerant inlet by rotary joint (G1/4")
- Inlet air arbor's cleaning (6 bar)
- 18-Rotary joint Leakage outlet (G1/8")
- 21-011 inlet to block the shaft (60bar) (G1/4")
- 22-011 inlet to unblock the shaft (60bar) (G1/4")



15

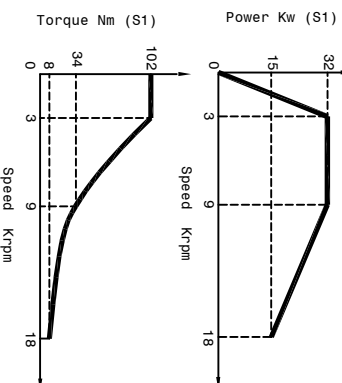


6



5

SPEED	3000	9000	18000
FREQUENCY	Hz 104	310	600
POWER (S1)	Kw 32	32	15
TORQUE (S1)	Nm 102	34	8
TENSION (S1)	V 380	380	380
CURRENT (S1)	A 62	62	30
POWER (S6-40% 2 min.)	Kw 40	40	16.5
TORQUE (S6-40% 2 min.)	Nm 129	61	9
TENSION (S6-40% 2 min.)	V 380	380	380
CURRENT (S6-40% 2 min.)	A 77	77	34



Asynchronous Motor: 4 poles

Ramout taper 0.002mm

**Perron Speed**  
INTERMOTEX

SUBJECT: PSI TCV-T-204

CUSTOMER:

Sheet: 1 / 1 DIS. N° 4100-00

DATE : 18/08/2022

