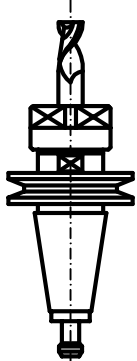
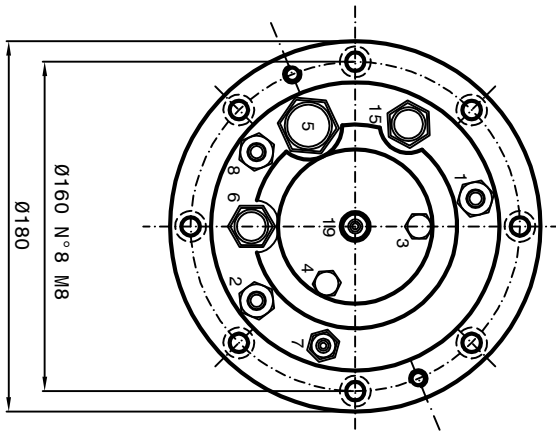
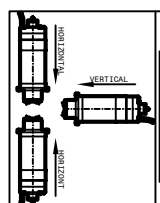
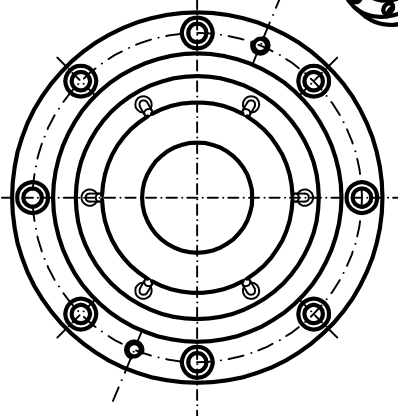
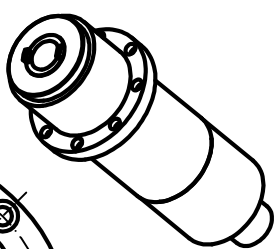
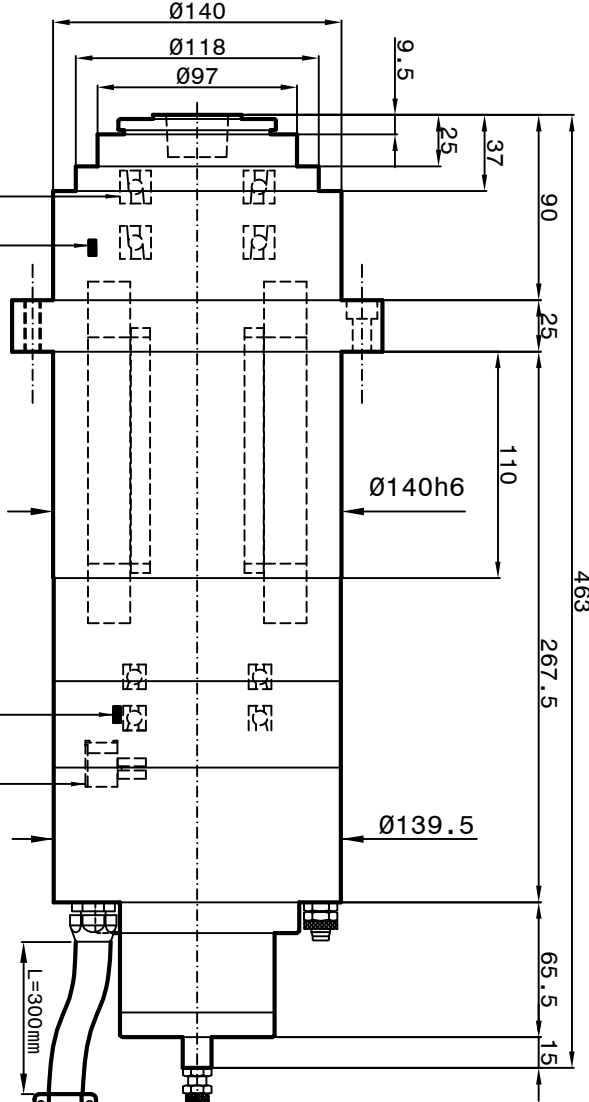


Tool holder HSK-A/E40-50
DIN 69893



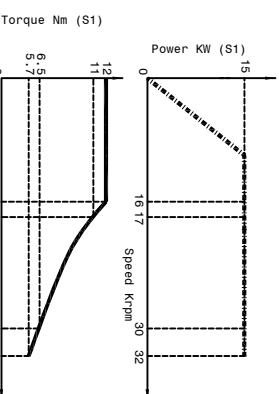
Tool holder ISO/ BT 30

- 1-Coolant inlet (G1/8") (3-4 bar) (4÷5 L/min.)
- 2-Coolant outlet (G1/8")
- 3-Hydraulic pressure unclamping tool (min 80bar - max 90bar) (G1/8")
- 4-Hydraulic pressure clamping tool (Return piston) (5bar min.-40bar max) (G1/8")
- 5-Electric connection (L=300)
- 3 Phases motor - Earth
- 6-Outlet sensor's cables (S1-S2-S4) (L=300mm)
- S1 PNP = Toolholders clamped.
- S2 PNP = Piston under pressure ready to receive tools arbor.
- The electrosprindle can not turn.
- S4 PNP = Toolholders not clamped.
- The electrosprindle cannot turn.
- PT 100 Bearing's temperature sensor (1-1.5 bar) (G1/8")
- 8-Tool cooling water (G1/8") (10 bar)
- 15-Outlet encoder's cables (Gel 2444 KN) (L=300mm)
- Motor thermal switch (N°1 PT 1000)
- 19-Inlet air arbor's cleaning (6 bar) (G1/8")



Grease Bearings Lubrication
Coolant Capacity = 3250 Watt

SPEED	RPM	16000	17000	30000	32000
FREQUENCY	Hz	542	572	1000	1067
POWER (S1)	KW	20	20	20	18
TORQUE (S1)	Nm	12	11	6.5	5.7
TENSION (S1)	V	360	360	360	360
CURRENT (S1)	A	43	41	39	37

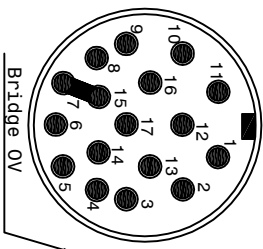


Asynchronous Motor: 4 poles Runout taper 0.002mm

Peron Speed INDUSTRIAL
SUBJECT: PSI TCV-107-SP
CUSTOMER:

Sheet: 1/1 Dis.n°5975-00 DATE : 04/11/2021

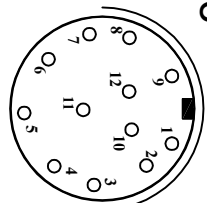
15



screen on carcass

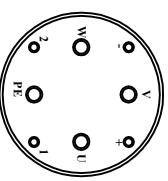
- 1 white A+
- 2 brown A-
- 3 grey Ref+
- 4 not connected
- 5 not connected
- 6 not connected
- 7 blue 0V
- 8 white-red thermal switch PT1000
- 9 white-red thermal switch PT1000
- 10 red +5V Do
- 11 pink B+
- 12 black B-
- 13 yellow Ref-
- 14 not connected
- 15 blue 0V
- 16 green 5V sensor
- 17 not connected

6



- 1 brown +24 V DC
- 2 blue 0 V DC
- 3 black S1 signal
- 4 black S2 signal
- 5 not connected
- 6 black S4 signal
- 7 rear PT 100
- 8 not connected
- 9 rear PT 100
- 10 front PT 100
- 11 not connected
- 12 front PT 100

5



- V blue phase V
- W brown phase W
- U brown phase U
- PE yellow-green Earth
- 1 not connected
- 2 not connected
- + not connected