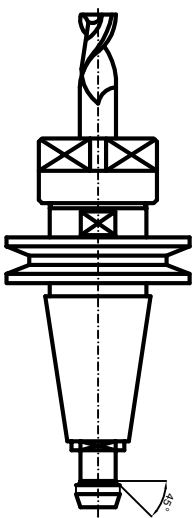
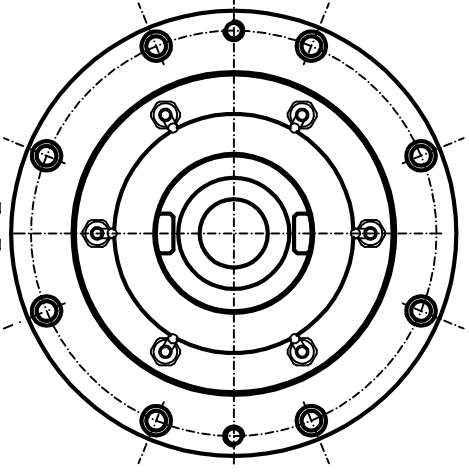
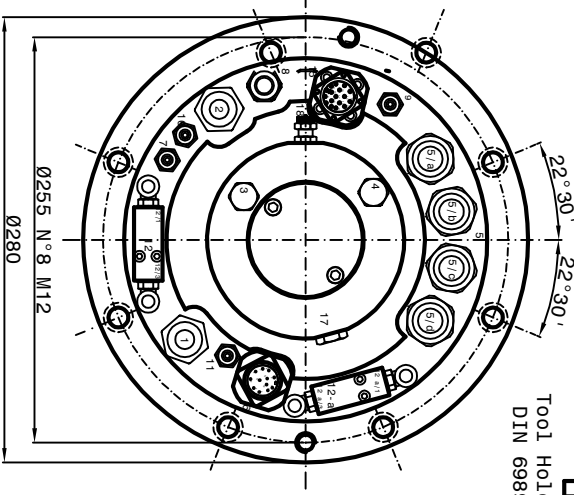
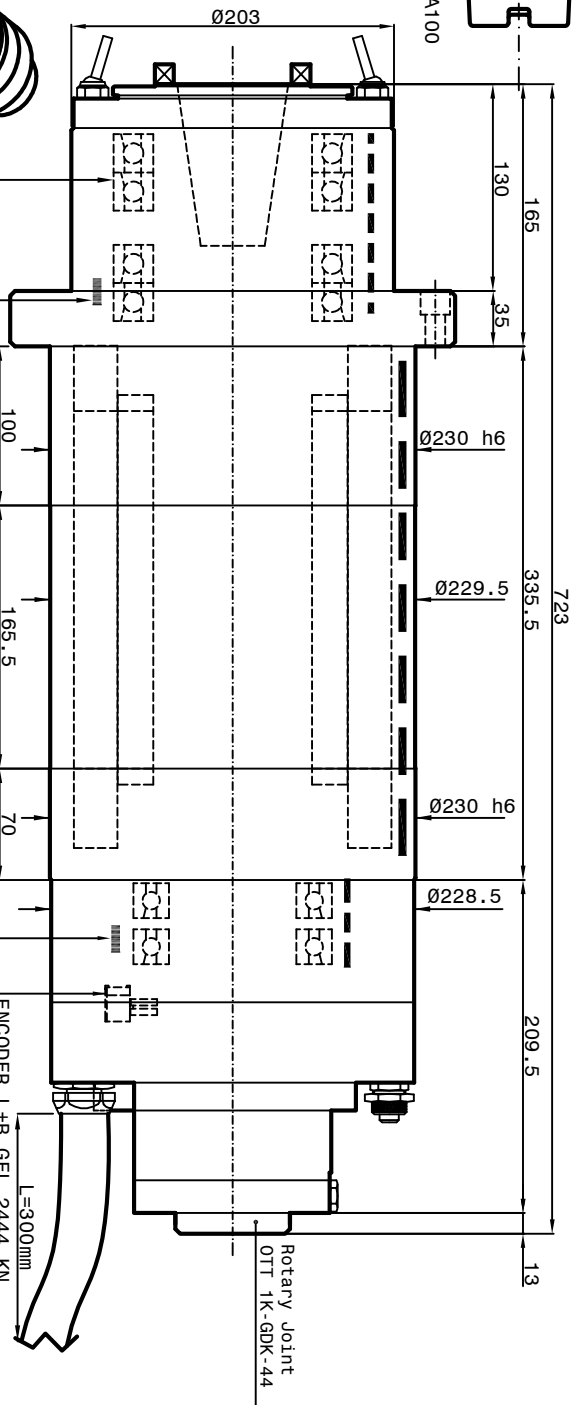


Tool Holder HSK-A100  
DIN 69893

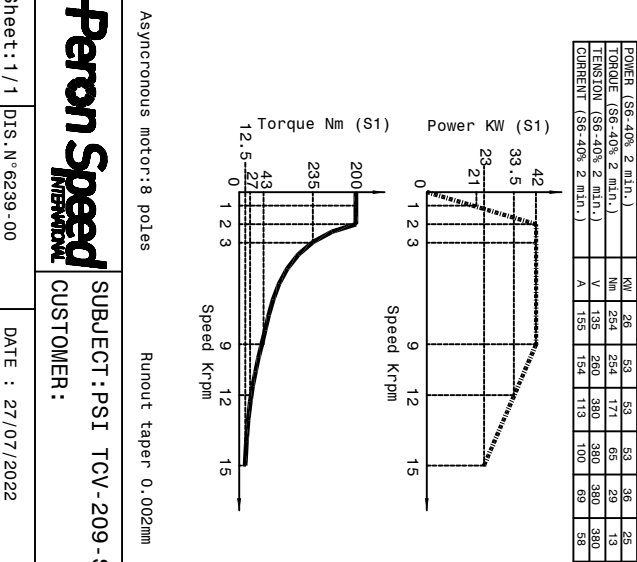
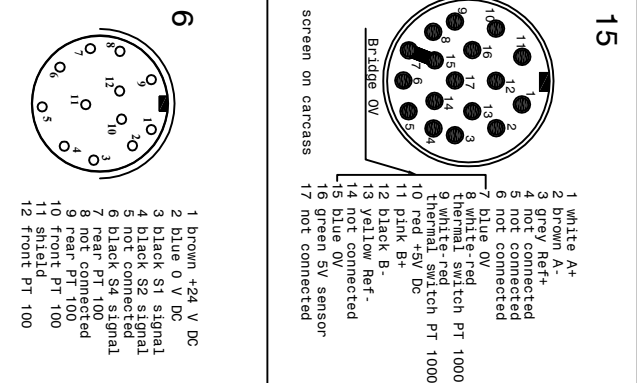


Tool holder BT  
PULL stud BT 50 45°



**Air-Oil Bearings Lubrication**  
Mobil DTE Light ISO VG 32  
Cooling capacity = 6550 Watt

- 1-Coolant inlet (G1/2") (3-4 bar) (10 L/min.)
- 2-coolant outlet (G1/2")
- 3-Hydraulic pressure unclamping tool (min 80bar - max 90bar) (G1/4")
- 4-Hydraulic pressure clamping tool (return piston) (10bar max) (G1/4")
- 5-Electric connection (L=300 mm)
- 5-a-phase U n°2 cables 06.5 mm Ø10 mm² (brown)
- 5-b-phase V n°2 cables 06.5 mm Ø10 mm² (blue)
- 5-c-phase W n°2 cables 06.5 mm Ø10 mm² (black)
- 5-d-Phase n°1 cables 06.5 mm Ø10 mm² (yellow/green)
- 6-Outlet sensor's cables (S1-S2-S4) (L=300mm)
- S1 PNP = Toolholders clamped.
- S2 PNP = Piston under pressure ready to receive tools arbor.
- S3 PNP = Toolholders can not turn.
- S4 PNP = Toolholders not clamped. The electrospindle cannot turn.
- 7-PT 100 Bearing's temperature sensor (PT 100 5 bar) (G1/8") (1/8") (6 bar)
- 8-Tool cooling water (93/8") (20 bar) (8+10 L/min.)
- 9-Front bearings lubrication-1 (G1/8")
- 10-Front bearings lubrication-2 (G1/8")
- 11-Rear bearings lubrication (G1/8")
- 12-Unloadng lubrication rear bearings (G1/8")
- 12/3 -Inlet air inlet for aspiration oil (1/8") (6 bar)
- 12/a -Inlet air inlet for aspiration oil (1/8") (6 bar)
- 12/b -Inlet air inlet for aspiration oil (1/8") (6 bar)
- 12/c -Inlet air inlet for aspiration oil (1/8") (6 bar)
- 12/d -Inlet air inlet for aspiration oil (1/8") (6 bar)
- 12/e -Inlet air inlet for aspiration oil (1/8") (6 bar)
- 12/f -Inlet air inlet for aspiration oil (1/8") (6 bar)
- 12/g -Inlet air inlet for aspiration oil (1/8") (6 bar)
- 12/h -Inlet air inlet for aspiration oil (1/8") (6 bar)
- 12/i -Inlet air inlet for aspiration oil (1/8") (6 bar)
- 12/j -Inlet air inlet for aspiration oil (1/8") (6 bar)
- 12/k -Inlet air inlet for aspiration oil (1/8") (6 bar)
- 12/l -Inlet air inlet for aspiration oil (1/8") (6 bar)
- 12/m -Inlet air inlet for aspiration oil (1/8") (6 bar)
- 12/n -Inlet air inlet for aspiration oil (1/8") (6 bar)
- 12/o -Inlet air inlet for aspiration oil (1/8") (6 bar)
- 12/p -Inlet air inlet for aspiration oil (1/8") (6 bar)
- 12/q -Inlet air inlet for aspiration oil (1/8") (6 bar)
- 12/r -Inlet air inlet for aspiration oil (1/8") (6 bar)
- 12/s -Inlet air inlet for aspiration oil (1/8") (6 bar)
- 12/t -Inlet air inlet for aspiration oil (1/8") (6 bar)
- 12/u -Inlet air inlet for aspiration oil (1/8") (6 bar)
- 12/v -Inlet air inlet for aspiration oil (1/8") (6 bar)
- 12/w -Inlet air inlet for aspiration oil (1/8") (6 bar)
- 12/x -Inlet air inlet for aspiration oil (1/8") (6 bar)
- 12/y -Inlet air inlet for aspiration oil (1/8") (6 bar)
- 12/z -Inlet air inlet for aspiration oil (1/8") (6 bar)
- 13-Outlet encoder's cables (G2) 2444 KN (L=300mm)
- Motor thermal switch (N-1 PT 1000)
- 17-Tool's Lubo refrigerant inlet by rotary (80 bar joint) (G1/4")
- Inlet air arbor's cleaning (6 bar)
- The electrospindle cannot turn.
- Inlet air 5 bar 10000 RPM
- 18-Rotary joint leakage outlet (G1/8")



Asynchronous motor: 8 poles  
Runout taper 0.002mm

**Peron Speed**  
KRENNWALD

SUBJECT: PSI TCY-209-SP  
CUSTOMER:

Sheet: 1/1 DIS. N°6293-00 DATE: 27/07/2022