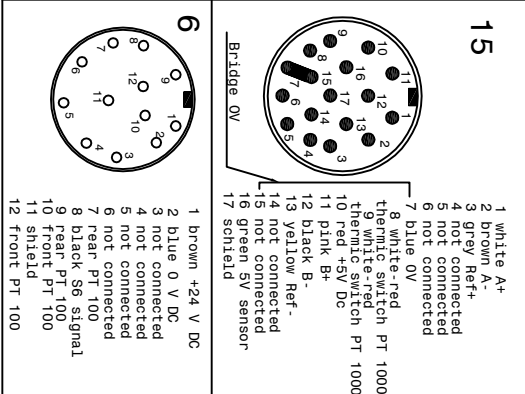
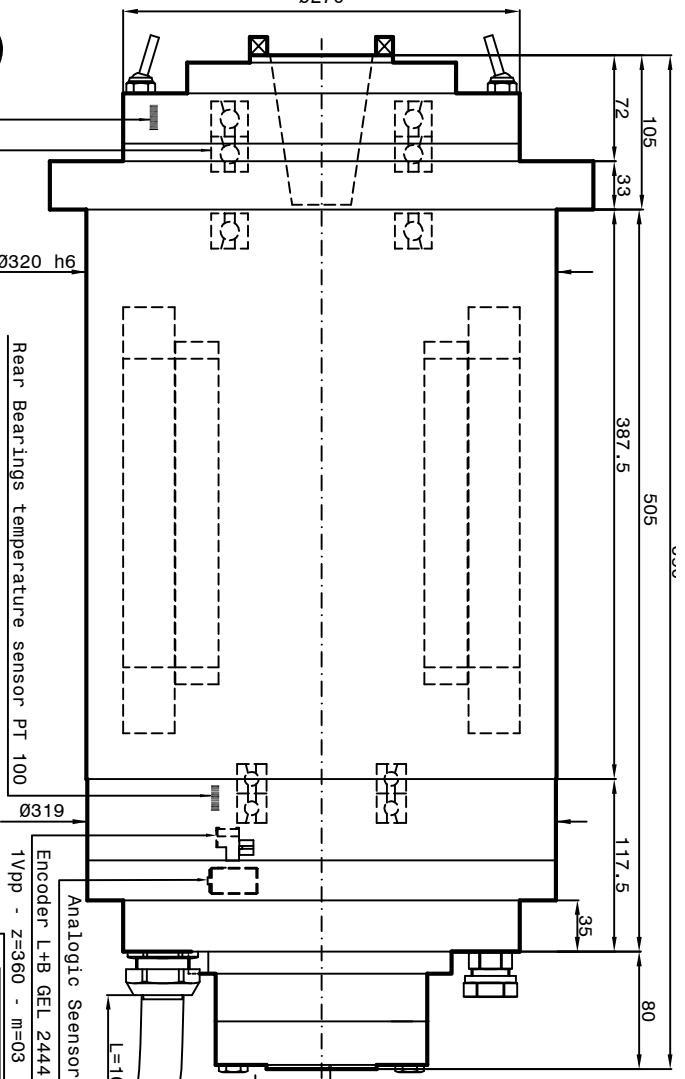
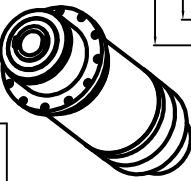
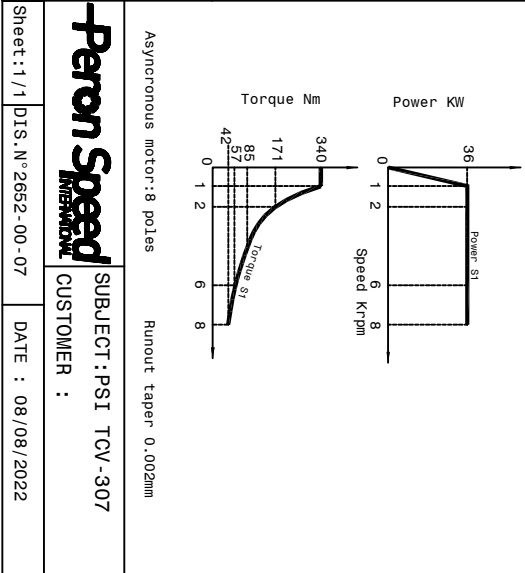


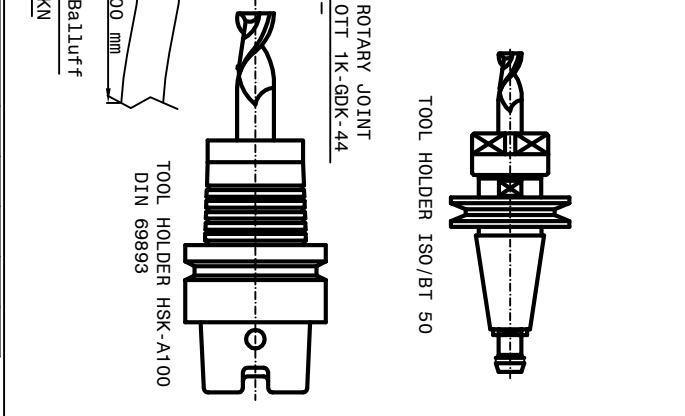
- 1-Coolant inlet (G1/2") (20-21 l/min.) (3+4 bar)
- 2-Coolant outlet (G1/2")
- 3-Hydraulic pressure unclamping tool (50bar max) (G1/4")
- 4-Hydraulic pressure clamping tool (10bar max) (G1/4")
- 5-Electric connection L=1000 mm 3Phases motor - Earth
- 6-Outlet sensor's cables (S6-S5)L=1000mm S6 Analogic Sensor Balluff PT 100 bearing's temperature sensor
- 7-Front-side pressurization filtered (5µm) (1-1.5 bar) (G1/8")
- 8-Tool cooling (G1/2") (20 bar)
- 15-Outlet encoder's cables (Gel 2444 KN) Motor thermal switch (N°1 PT 1000)L=1000mm
- 17-Tool's Lubro refrigerant inlet by rotary joint (G1/4") (max 80 bar) -Inlet air arbor's cleaning (6 bar)
- 18-Rotary joint leakage outlet(G1/8")



Coolant Capacity = 4650 Watt
Grease Bearings Lubrification



SPEED	RPM	1000	2000	6000	8000
FREQUENCY	Hz	70	133	400	533
POWER (S1)	KW	3.6	3.6	3.6	3.6
TORQUE (S1)	Nm	340	171	57	42
TENSION (S1)	V	200	380	380	380
CURRENT (S1)	A	142	93	78	67
POWER (S6/40%-2 min.)	KW	4.5	4.5	4.5	3.9
TORQUE (S6/40%-2 min.)	Nm	428	218	64	47
TENSION (S6/40%-2 min.)	V	200	380	380	380
CURRENT (S6/40%-2 min.)	A	174	107	86	74



Sheet: 1/1 DIS. N°2652-00-07 DATE : 08/08/2022

Peron Speed INTERMEDIUM

SUBJECT : PSI TCV-307 CUSTOMER :