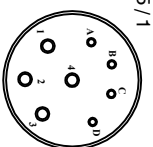
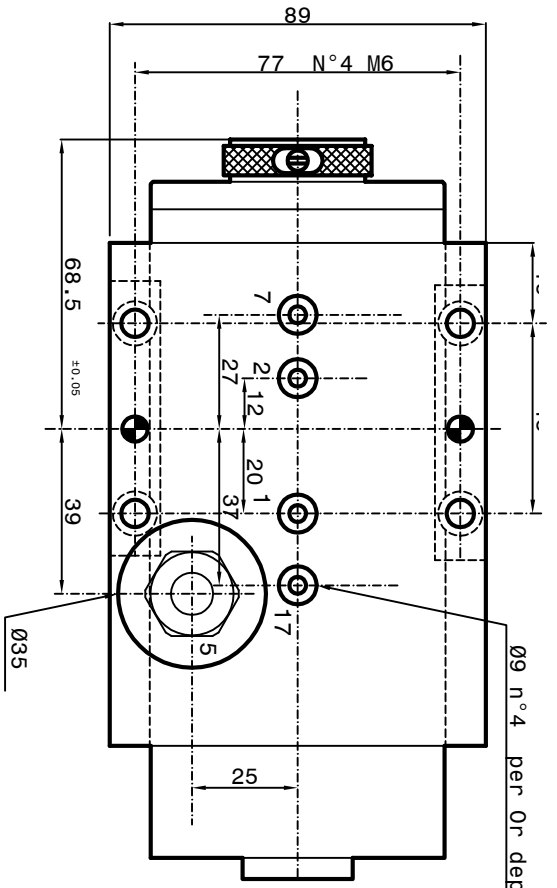
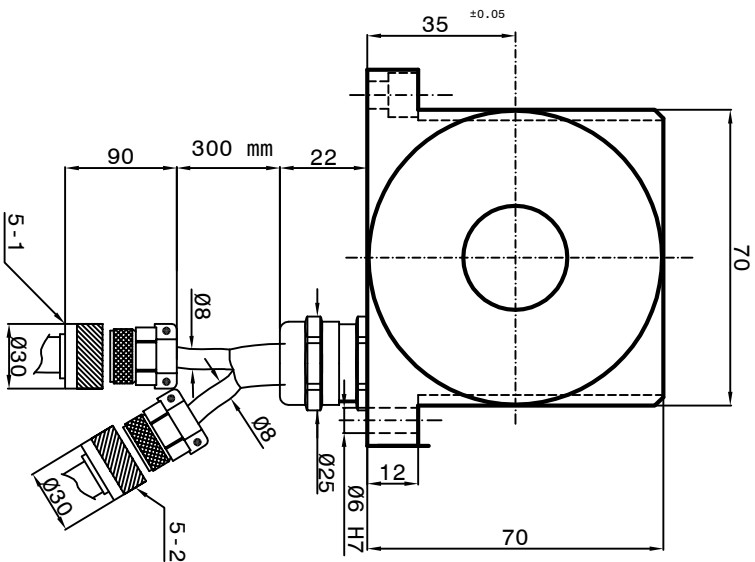


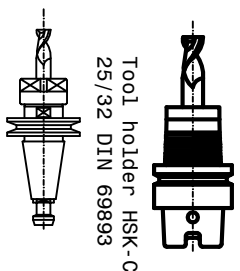
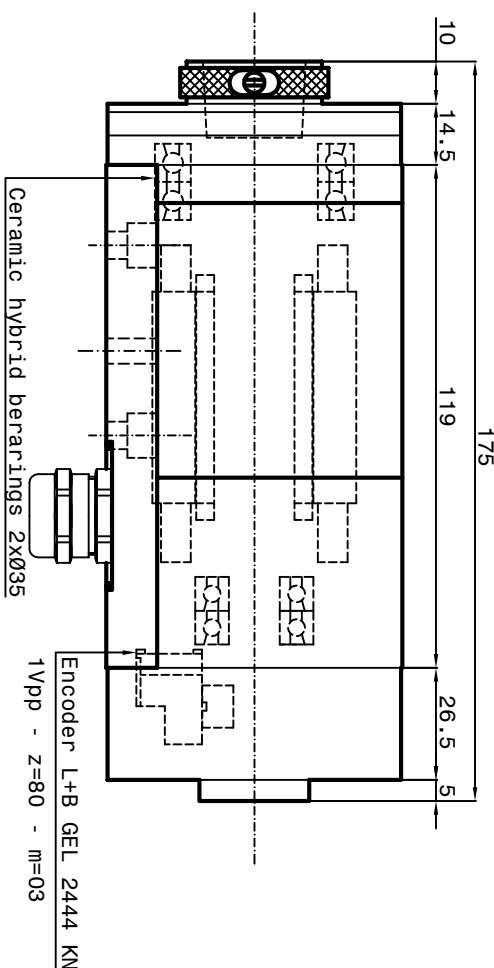
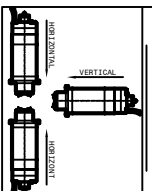
- 5/2
- 1 white A+
  - 2 brown A-
  - 3 grey Ref+
  - 4 not connected
  - 5 not connected
  - 6 not connected
  - 7 not connected
  - 8 white connected
  - 9 white -red thermic switch PT 1000
  - 10 red +5V Dc
  - 11 pink B+
  - 12 black B-
  - 13 yellow Ref-
  - 14 not connected
  - 15 blue 5V sensor
  - 16 green 5V sensor
  - 17 shield



- 5/1
- 1 brown fase U
  - 2 yellow-green Earth
  - 3 blue fase V
  - 4 black fase W
  - A non connasso
  - B not connected
  - C not connected
  - D not connected



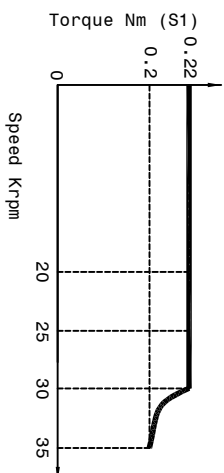
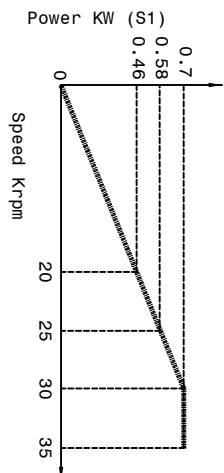
**Grease Bearings Lubrication**  
Cooling capacity = 200 Watt



Tool holder ISO/BI 20

- 1-Coolant inlet (Ø4) (3+4 bar) (3+4 l/min.)
- 2-Coolant outlet (Ø4)
- 5-1-Electric connection 3Phases motor - Earth
- 5-2-Outlet encoder's cables (GEL 2444 KN) -Motor thermal switch (N°1 PT 1000)
- 7-Front-side pressurization filtered (5µm) (1-1.5 bar) (G1/8")
- 17-Inlet air continuous for centre(Ø4)

SPEED	RPM	20000	25000	30000	35000
FREQUENCY	Hz	333	416	500	600
POWER (S1)	KW	0.46	0.58	0.7	0.7
TORQUE (S1)	Nm	0.22	0.22	0.22	0.2
TENSION	V	155	185	220	220
CURRENT	A	2.6	2.7	2.7	2.5



Asynchronous motor : 2 poli  
Runout taper 0.002 mm

**Peron Speed**  
INTERMOT

SUBJECT: PSI ES-1C  
CUSTOMER :

Sheet: 1/1 Dis. N°: 2288-00-04

DATE :