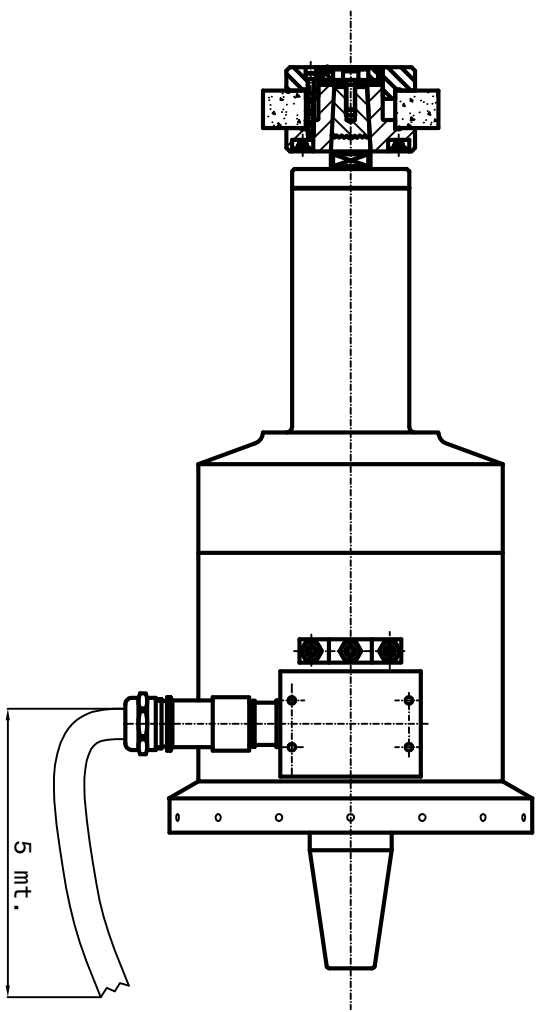
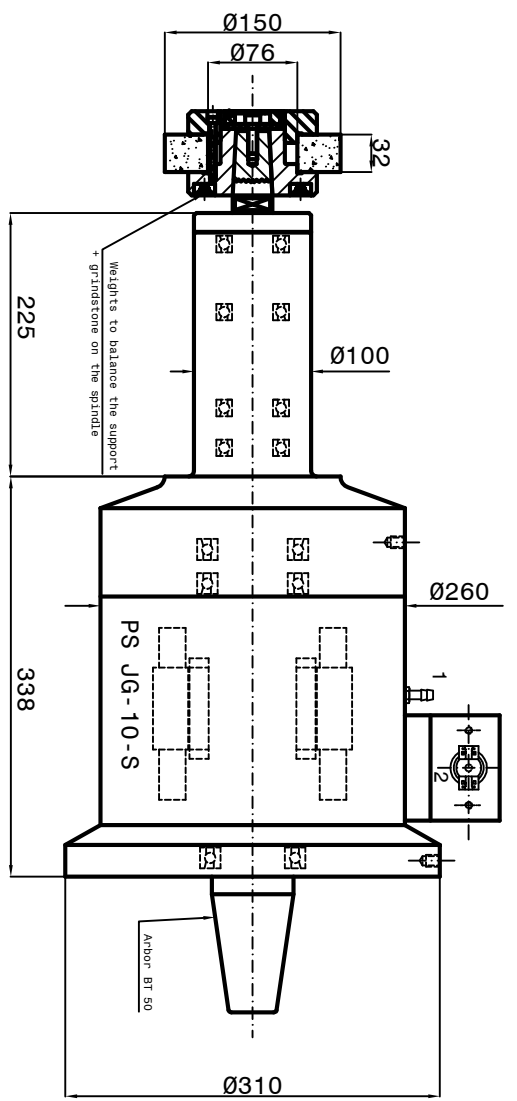
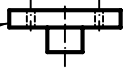


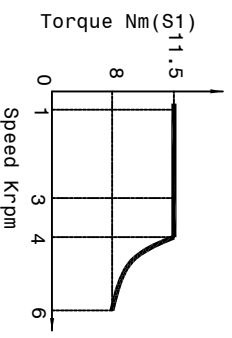
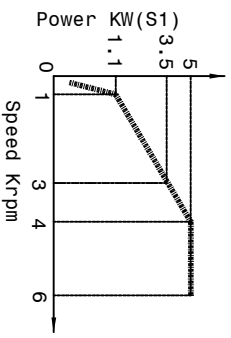
Shaft to balance the support + grindstone before to insert it on the spindle



System to remove the support from the spindle



- 1-Inlet air coolant motor (G1/8") (6 bar)
- 2-Outlet air coolant motor
- 3-Elètric connection (L=300)
- 3 Phases motor - Earth



SPEED	RPM	980	2900	4410	6000
FREQUENCY	Hz	36	100	150	200
POWER (S1)	KW	1.1	3.6	5	5
TORQUE (S1)	Nm	11.5	11.5	11.5	8
TENSION	V	55	152	220	220
CURRENT	A	21	21	20	20

Runout taper and face 0.002mm

**Peron Speed**  
SUBJECT: PSI JG-10-S  
CUSTOMER: NICKUNU