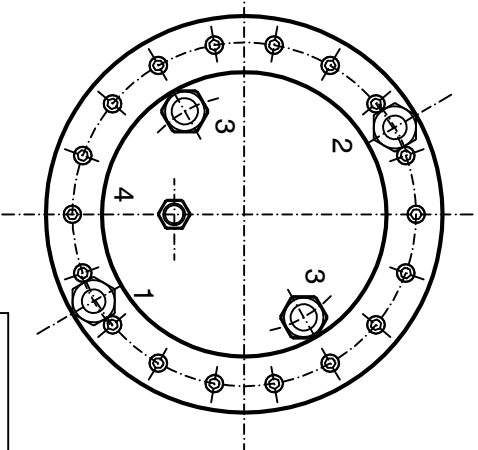
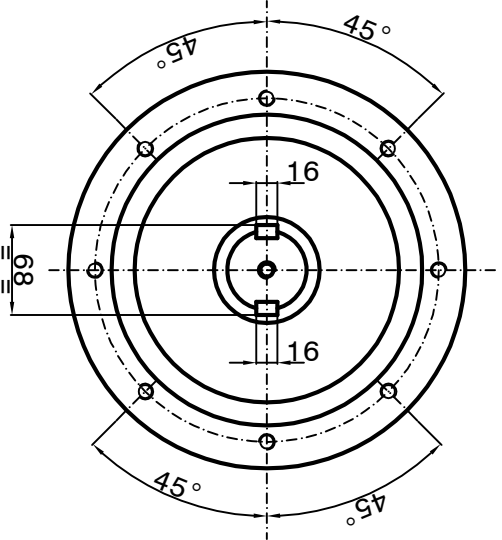
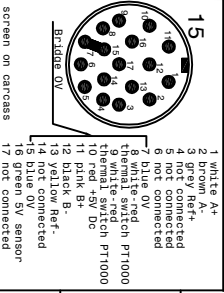


Cooling capacity = 7200 Watt
Grease Bearings Lubrication

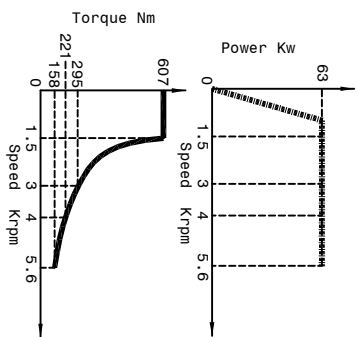
Encoder L+B GEL 2444-KN
1Vpp - z=250 - m=03
Roulements 2xØ100
N°1 vis CHC M6/15/clavette



- 1-Coolant inlet (G1/2") (21 l/min.) (3-4 bar)
- 2-Coolant outlet (G1/2")
- 3-Electric connection (L=300)
- 3 Phases motor - Earth
- 4-Outlet encoder's cables (Gel 2444) (L=300mm)
- Motor thermal switch (N°1 PT 1000)



| | | | | | |
|--------------|-----|---------------|------|------|------|
| SPEED | RPM | 1500 | 3000 | 4000 | 5600 |
| FREQUENCY | Hz | 150 | 300 | 400 | 560 |
| POWER (S1) | KW | 93 | 93 | 93 | 93 |
| TORQUE (S1) | Nm | 607 | 295 | 221 | 158 |
| TENSION (S1) | V | Max 427 VOLT | | | |
| CURRENT (S1) | A | Max 209.5 Amp | | | |



Synchronous Moteur:12 pole

Concentricité arbre 0.002mm



SUBJET: PSI MTM-300

CUSTOMER:

Sheet:1/1

DIS.N°935-00-02

DATE : 15/02/2023

