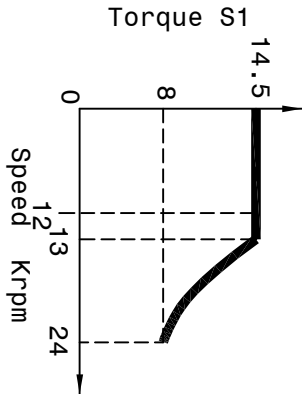
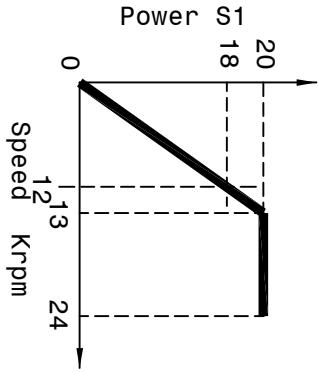
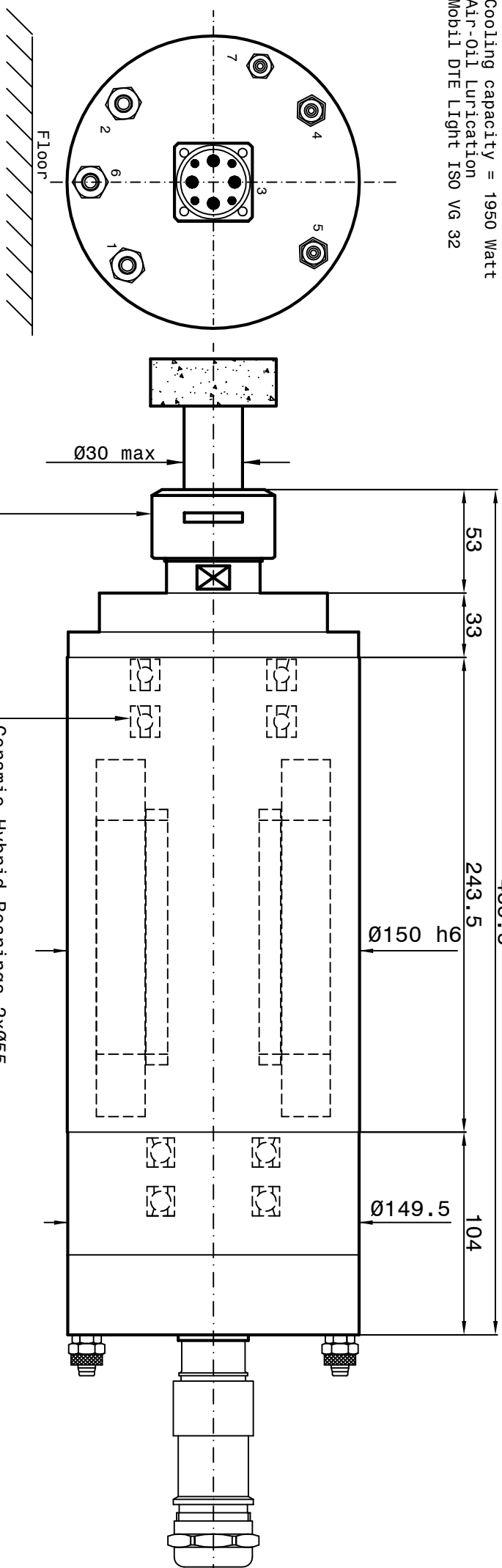


Cooling capacity = 1950 Watt
 Air-Oil Lubrication
 Mobil DTE Light ISO VG 32

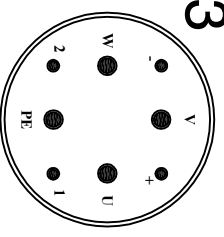


SPEED	RPM	12000	13000	24000
FREQUENCY	Hz	400	444	800
POWER (S1)	KW	18	20	20
TORQUE (S1)	Nm	14.5	14.5	8
TENSION	V	342	380	380
CURRENT	A	43	43	42

Asynchronous motor : 4 poles Runout taper 0.001mm

- 1-Coolant inlet (G1/8") (3±4 bar) (4±5 L/min.)
- 2-Coolant outlet (G1/8")
- 3-Electric connection
- 3Phases motor - Earth
- Motor thermich switch (N°1 PTC 130)
- 4-Front bearings Lubrication (G1/8")
- 5-Rear bearings Lubrication (G1/8")
- 6-Unloading Lubrication bearings (G1/8") through aspiration type Festo
- VAD 1/8 (6 bar)
- 7-Front-side Pressurization filtered (5µm) (1-1.5 bar) (G1/8")

3



- V Blue phase V
- W Black phase W
- U Brown phase U
- PE Yellow-green Earth
- 1 not connected
- 2 not connected
- + thermic switch PTC 130
- thermic switch PTC 130

Peron Speed
 INTERNATIONAL

Sheet : 1 / 1 Dis.n° 2610-00 DATE : 24/08/2022

SUBJECT: PSI RGC-152
 CUSTOMER: