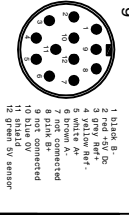
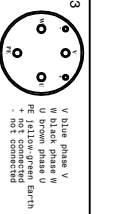
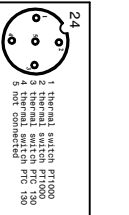
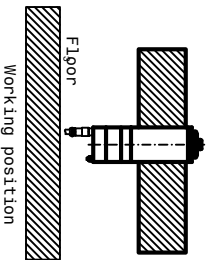
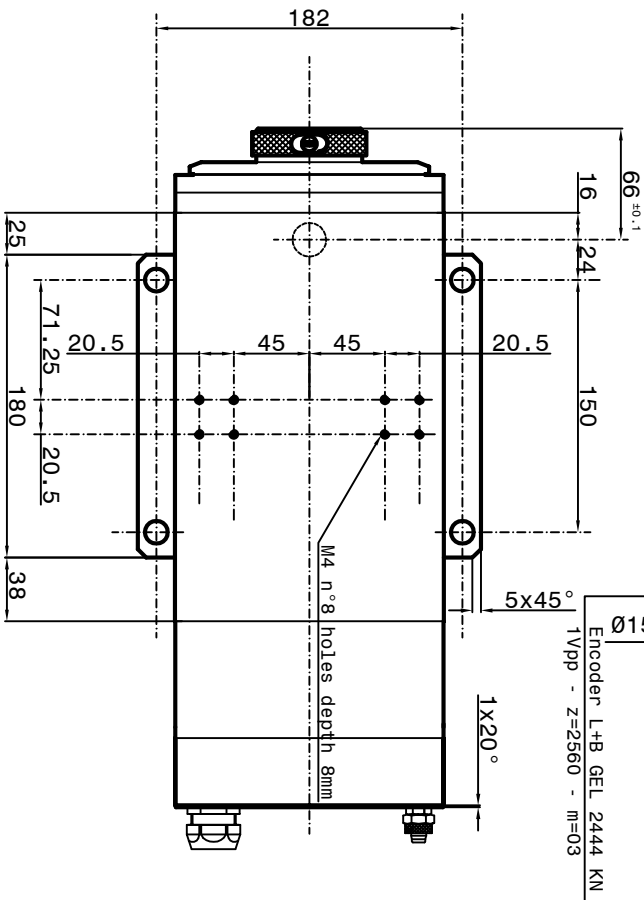
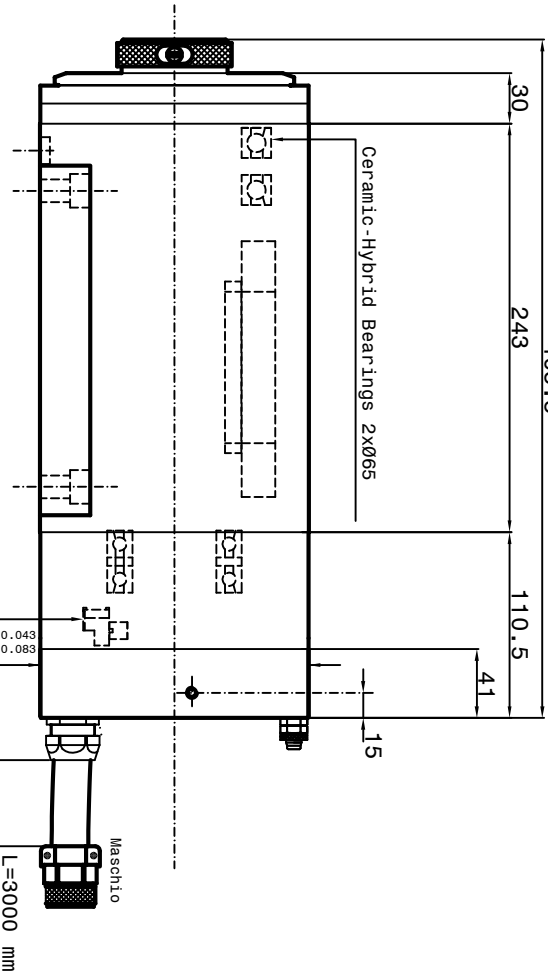
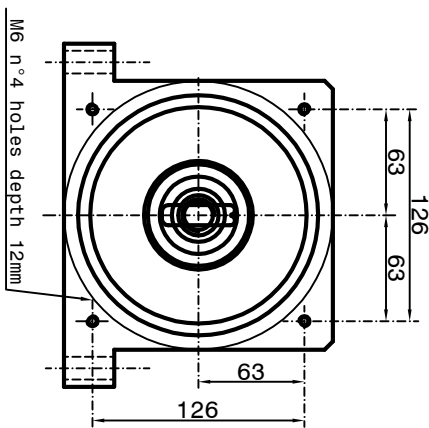


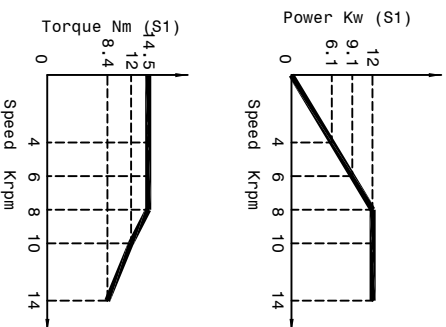
- 1-Coolant inlet (G1/8") (4 l/min.) (3-4 bar)
- 2-Coolant outlet (G1/8")
- 3 Phases motor - Earth
- 4-Front bearings Lubrication (G1/8")
- 5-Rear bearings Lubrication (G1/8")
- 6-Unloading Lubrication bearings (G1/8") through aspiration type Festo VAD 1/8 (6 bar)
- 7-Front-side pressurization filtered (5µm) (-1-1.5 bar) (G1/8")
- 9-Outlet encoder's cables (Gel 2444 KN) (L=3000mm)
- 24-Outlet motor thermal switch (N°1 PT 1000 + N°1PTC 130)



Air Oil Bearings Lubrication
Mobil DTE Light ISO VG 32
Cooling capacity = 1950 Watt



SPEED	RPM	4000	6000	8000	10000	14000
FREQUENCY	Hz	208	307	407	500	700
POWER (S1)	Kw	6.1	9.1	12	12	12
TORQUE (S1)	Nm	14.5	14.5	14.5	12	8.4
TENSION (S1)	V	194	287	380	380	380
CURRENT (S1)	A	28.1	27.8	27.6	25.6	25.8



Asynchronous motor: 6 poles
Runout taper: 0.002mm
Peron Speed
SUBJECT: PSI RGV-160
CUSTOMER:
DATE: 24/02/2016
Sheet: 1/1