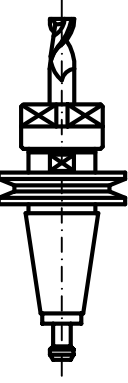
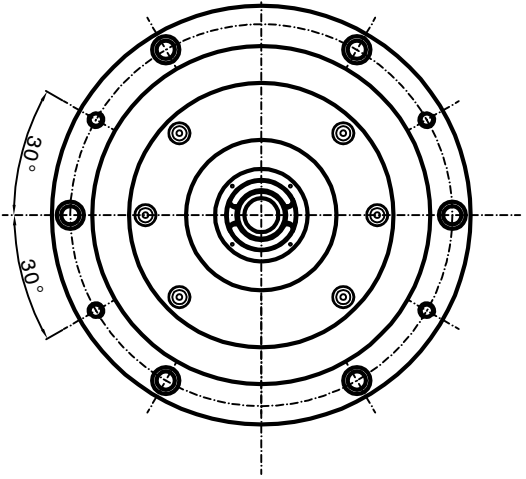
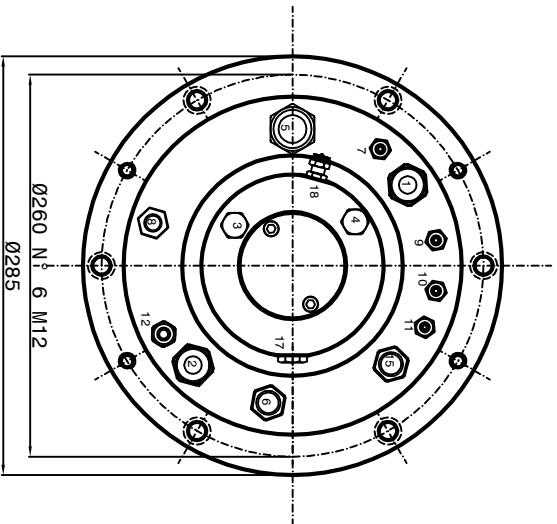
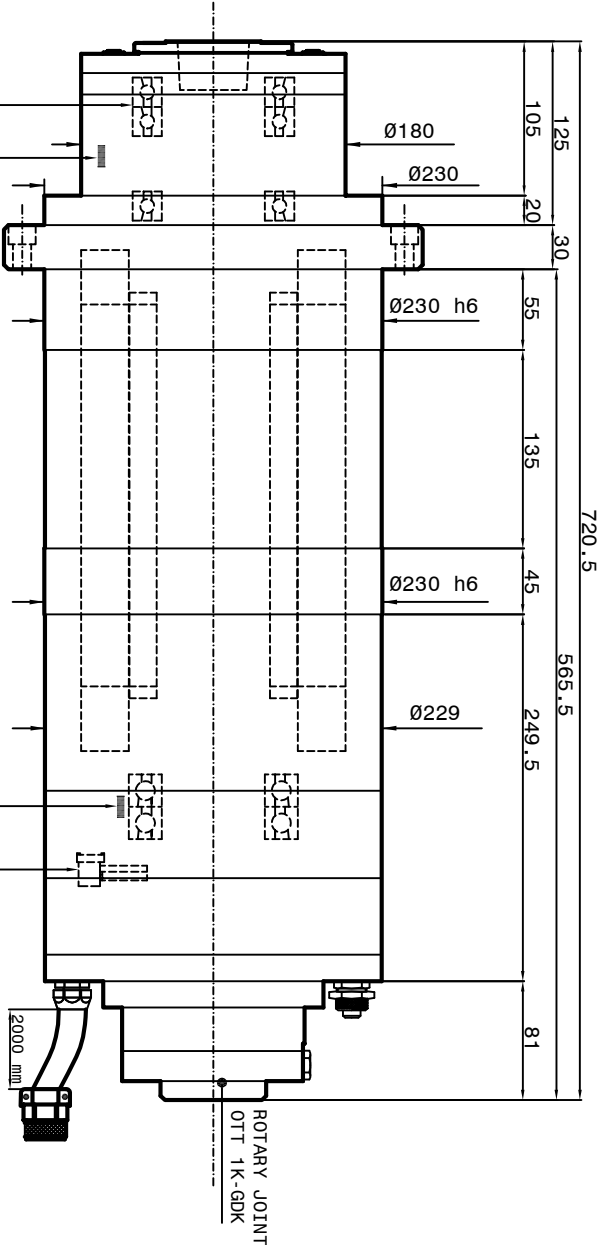
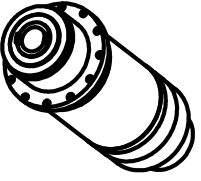


TOOL HOLDER HSK-A63
DIN 69893



Tool holder ISO/BT 40



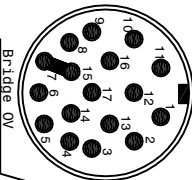
FRONT BEARING'S TEMPERATURE SENSOR PT 100
CERAMIC-HYBRID BEARINGS 3xØ70

REAR BEARING'S TEMPERATURE SENSOR PT 100

Cooling capacity = 4150 Watt
Air-Oil Bearings Lubrication
Mobil DTE Light ISO VG 32

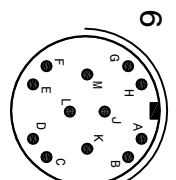
- 1-Coolant inlet (G1/2") (3+4 bar) (8+10 L/min.)
- 2-Coolant outlet (G1/2")
- 3-Hydraulic pressure unclamping tool (90bar max) (G1/4")
- 4-Hydraulic pressure clamping tool return piston (60bar max) (G1/4")
- 5-Motor electric connection 3 Phases-Earth L=2000mm supplied with shielded cable shielded Phase V = Blue Phase U = Brown Phase W = Black Earth yellow-green
- 6-Outlet sensor's cables (S1-S2-S4) L=2000mm supplied with shielded cable shielded S1 PNP = Piston under pressure ready to receive tools arbor. The electrospindle can not turn. S4 PNP = Toolholders not clamped. The electrospindle cannot turn.
- 7-Front-side pressurization (1.5-2 bar) filtered air continuous (0.5m) (G1/8")
- 8-Tool cooling (G1/2") (20 bar) (G1/8")
- 9-Front bearings Lubrication -1 (G1/8")
- 10-Front bearings Lubrication -2 (G1/8")
- 11-Rear bearings Lubrication (G1/8")
- 12-Undraining lubrication bearings (G1/4")
- 15-Outlet encoder's cables (Gel 2444 KN) L=2000mm supplied with shielded cable shielded Motor thermal switch (N°1 PT 1000)
- 17-Tool's Lubro refrigerant inlet by rotary joint (G1/4") max 80 bar
- 18-Rotary joint leakage outlet (G1/4")

15



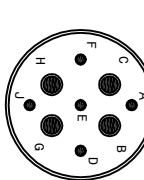
- 1 white A+
- 2 brown A-
- 3 grey Ref+
- 4 not connected
- 5 not connected
- 6 not connected
- 7 blue OV
- 8 thermal switch PT 1000
- 9 white-red thermal switch PT 1000
- 10 red +5V Dc
- 11 pink B+
- 12 black B-
- 13 yellow Ref-
- 14 not connected
- 15 blue OV
- 16 green 5V sensor
- 17 not connected

6



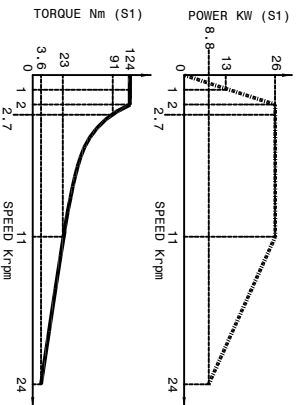
- A blue 0 VDC
- B brown +24 V DC
- C black S1 signal
- D black S2 signal
- E not connected
- F black S4 signal
- G rear PT 100
- H not connected
- J rear PT 100
- L front PT 100
- M shield
- K front PT100

5



- A not connected
- B blue phase V
- C black phase W
- D not connected
- E not connected
- F not connected
- G brown phase U
- H not connected
- J not connected

SPEED	RPM	1000	2000	2700	11000	22000
FREQUENCY	Hz	38	71	93	366	800
POWER (S1)	KW	13	26	26	26	8.8
TORQUE (S1)	Nm	124	124	91	23	3.6
TENSION (S1)	V	155	290	380	380	380
CURRENT (S1)	A	74	75	62	50	24
POWER (S6-40%)	KW	15	32	32	32	9.5
TORQUE (S6-40%)	Nm	154	154	113	31.5	3.9
TENSION (S6-40%)	V	155	290	380	380	380
CURRENT (S6-40%)	A	91	89	72	64	24



Asynchronous Motor: 4 poles
Rounout taper: 0.002mm

Peron Speed
INSTRUMENTAL

SUBJECT: PSI TOV-206
CUSTOMER:
Sheet: 1/1
DIS. N° 4343-00-02
DATE: 09/08/2022