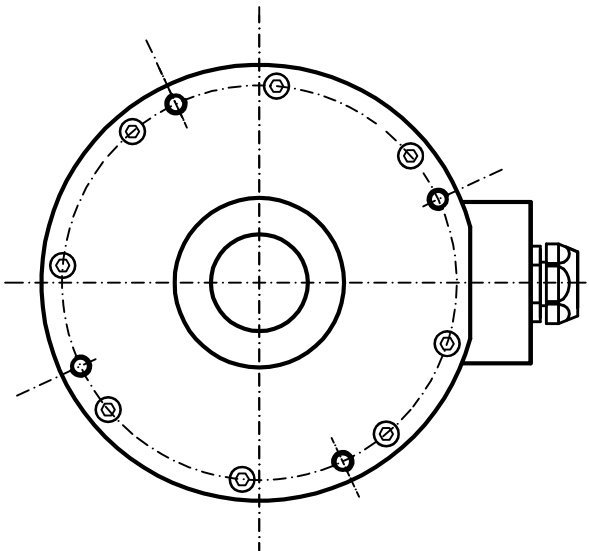
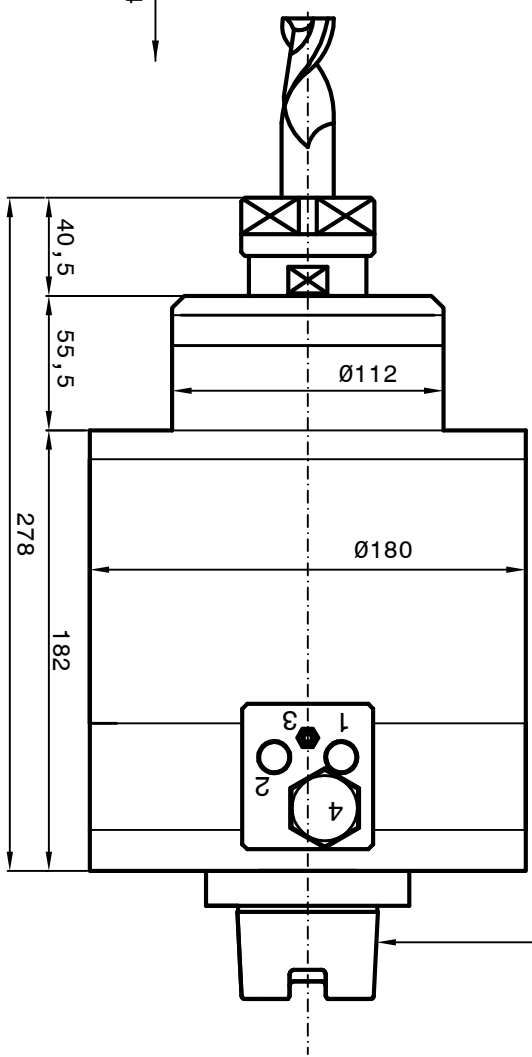
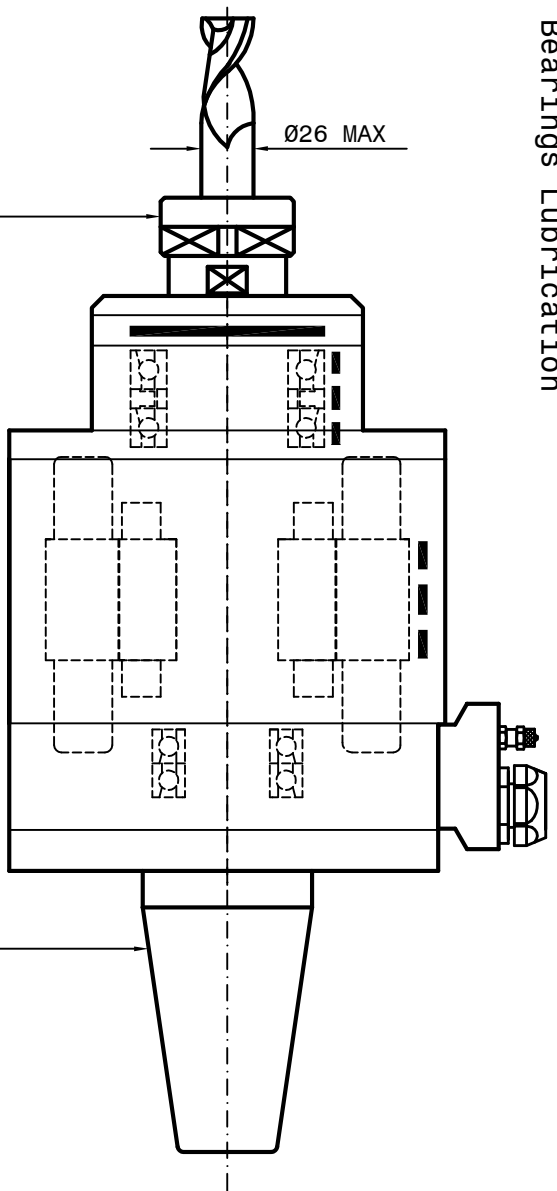
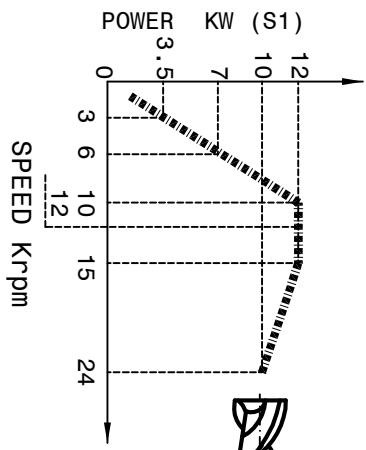
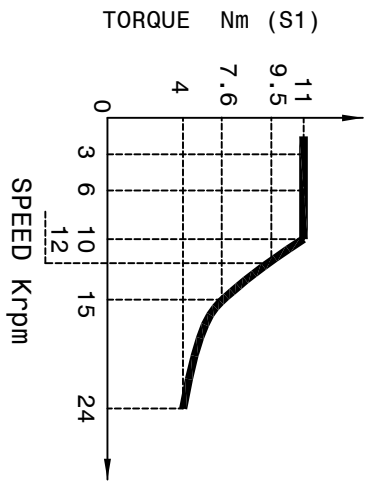


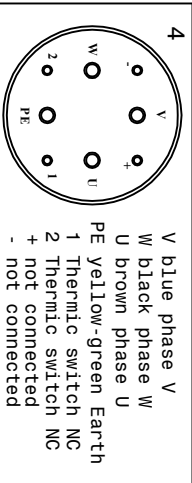
Grease Bearings Lubrication



| | | | | | | | |
|-------------|-----|------|------|-------|-------|-------|-------|
| SPEED | RPM | 3000 | 6000 | 10000 | 12000 | 15000 | 24000 |
| FREQUENCY | Hz | 100 | 200 | 334 | 400 | 500 | 800 |
| POWER (S1) | KW | 3.5 | 7 | 12 | 12 | 12 | 10 |
| TORQUE (S1) | Nm | 11 | 11 | 11 | 9.5 | 7.6 | 4 |
| TENSION | V | 105 | 200 | 330 | 380 | 380 | 380 |
| CURRENT | A | 31 | 30 | 30 | 26 | 25 | 16 |



- 1-Coolant inlet (G1/8") (3+4 bar) (2+3 l/min.)
- 2-Coolant outlet (G1/8")
- 3-Front-side pressurization filtered (5µm) (1-1.5 bar) (G1/8")
- 4-Electric connection L=300mm
3Phases motor - Earth
-Motor thermal switch (N°1 NC)



Runout arbor 0.002mm

Peron Speed
INTERNATIONAL

SUBJECT: PSI A-6
CUSTOMER:

Sheet:1/1 Dis.n°:186-00-03-A6 DATE:22/08/2022