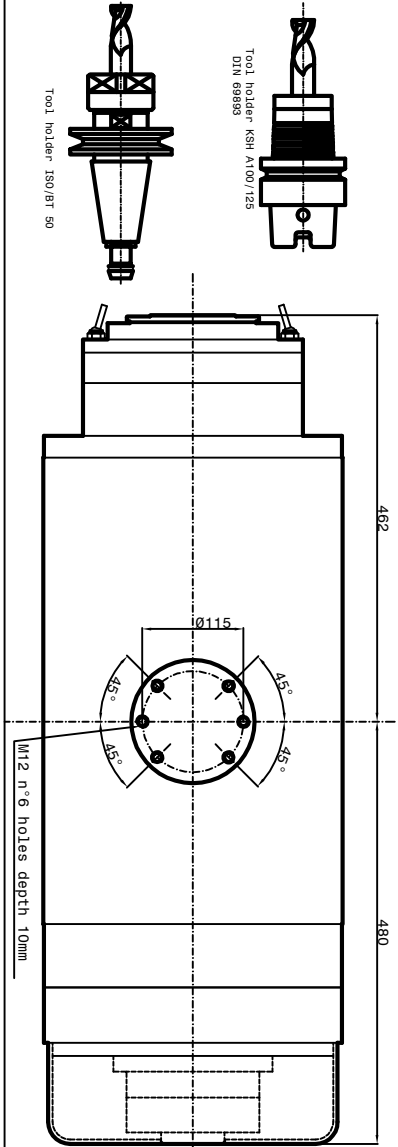
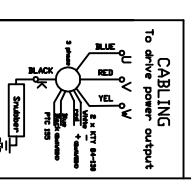
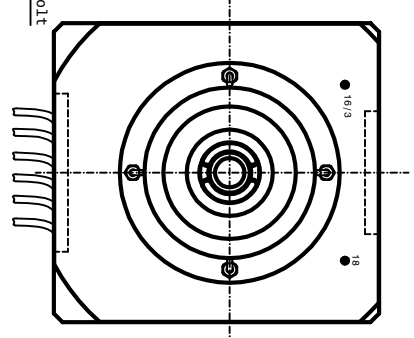
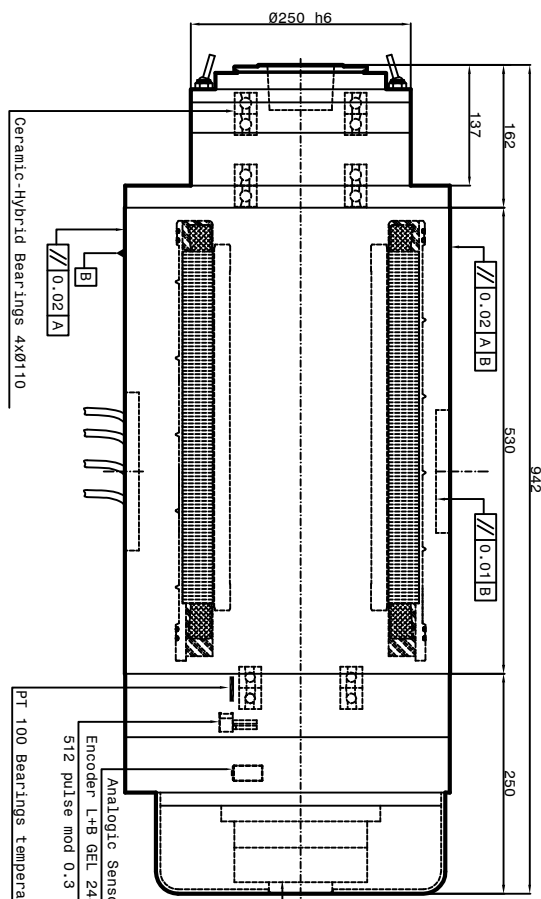
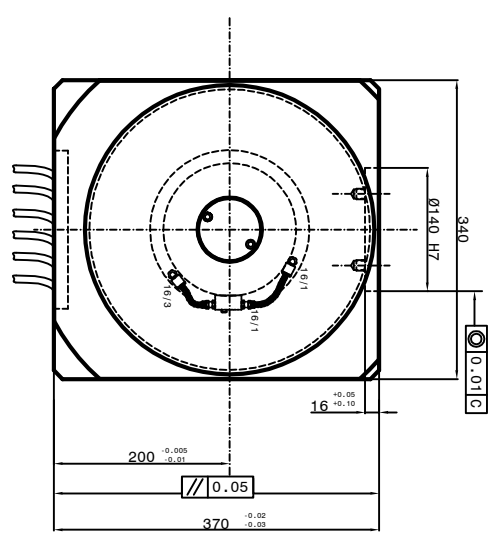
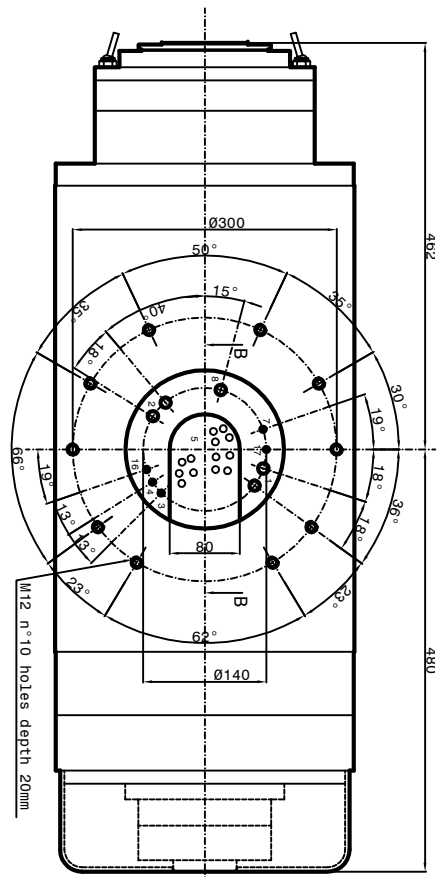
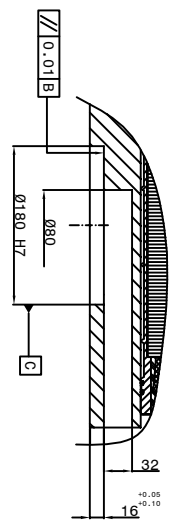


S9Z, B-B



- Grease bearings Lubrication**  
Cooling capacity = 10500 Watt
- 1-Coolant inlet (Ø12 n.2 holes)(3-4 bar) (20 L/min.)
  - 2-Coolant outlet (Ø12 n.2 holes)
  - 3-Hydraulic pressure (max 60 bar) (Ø6)
  - 4-Hydraulic pressure clamping (Ø6)
  - 5-Electric connection (10bar max) (Ø6)
  - 6-Phase electric motor
  - 7-Tool's Labro refrigerant inlet by rotary joint (Ø6)
  - 8-Tool's Labro refrigerant inlet by rotary joint (Ø6)
  - 9-Outlet sensor's cables (S6)(L=1000mm)
  - 10-Outlet sensor Balluff
  - 11-Analogic sensor Balluff
  - 12-PT 100 Bearing's cables (Ø1 244 KN)(L=1000mm)
  - 13-Outlet thermal switch (N 1 KTY 84-150)
  - 14-Tool's Labro pressure reduction filter (Ø4mm)
  - 15-Tool's Labro pressure reduction filter (Ø4mm)
  - 16-Tool's Labro pressure reduction filter (Ø4mm)
  - 17-Tool's Labro refrigerant inlet by rotary joint (Ø6)
  - 18-Rotary joint leakage outlet

SPEED	HP/1	514	1000	2000	3000	4000	5000	6000
POWER (S1)	KW	61.08	61.08	61.08	61.08	61.08	61.08	61.08
TORQUE (S1)	Nm	1137	583	292	194	146	117	97
TENSION (S1)	V							
CURRENT (S1)	A							

125 MAX

Power KW (S1)

Torque Nm (S1)

Speed Krpm

Choke 0.1 mH/PHASE

Synchronous motor: 16 poles  
Runout taper 0.001mm

**Peron Speed**  
SUBJECT: PSI ES-304  
CUSTOMER:

Sheet: 1/1  
DIS. N° 5169-00-02  
DATE: