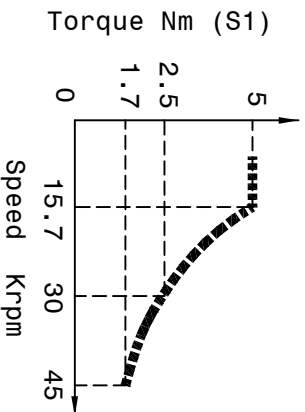
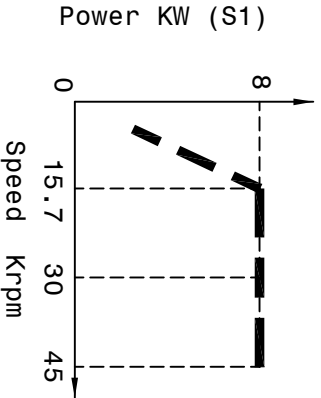
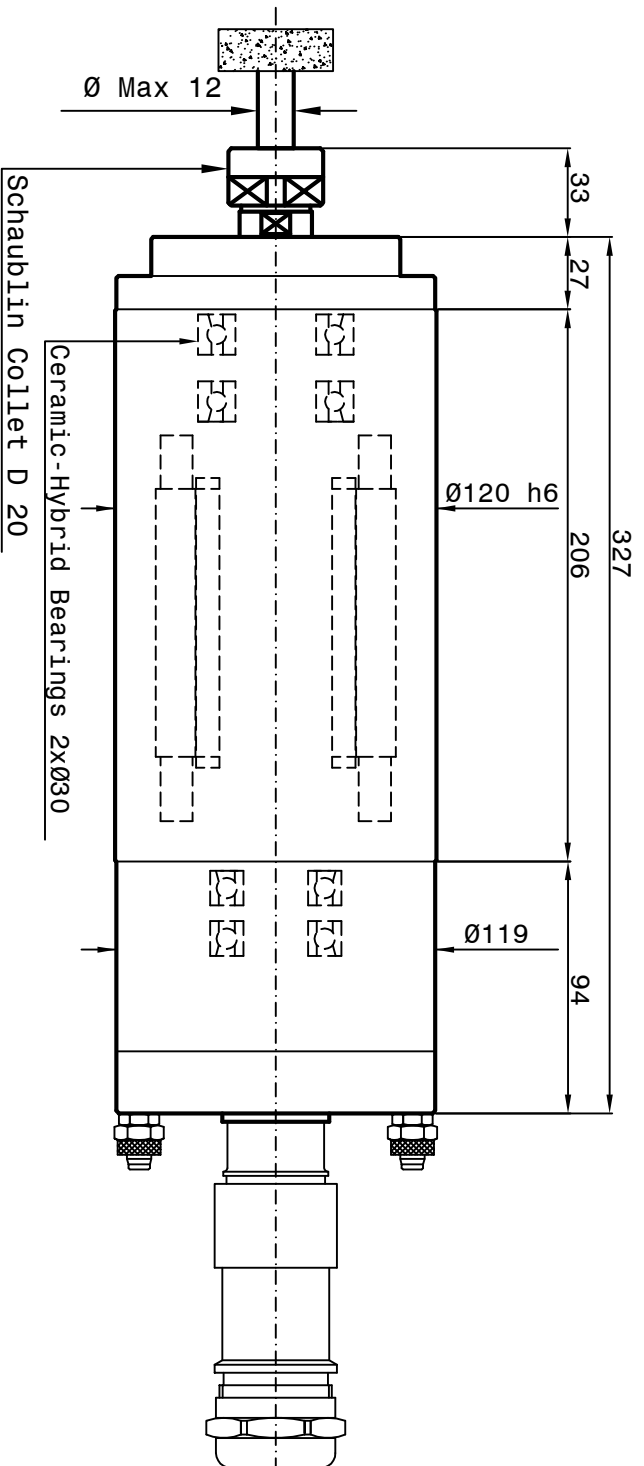
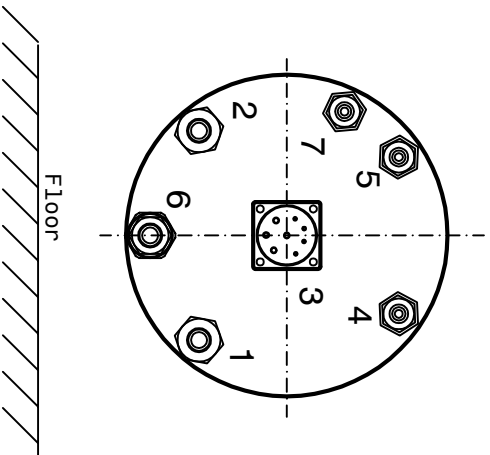


Cooling capacity = 1350 Watt
 Air-Oil Lurrication
 Mobil DTE Light ISO VG 32



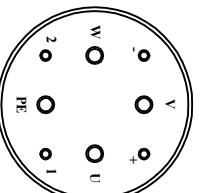
SPEED	RPM
15700	30000
45000	
FREQUENCY	Hz
533	1000
1500	
POWER (S1)	KW
8	8
2.5	1.7
TORQUE (S1)	Nm
5	2.5
230	350
350	
TENSION (S1)	V
230	350
350	
CURRENT (S1)	A
29	19
19	18

Asynchronous motor:4 poles

Runout taper 0.002mm

- 1-Coolant inlet (G1/8")(3+4 bar)(3+4 L/min.)
- 2-Coolant outlet (G1/8")
- 3-Electric connection
3Phases motor - Earth
Motor thermich switch (N°1 PTC 130)
- 4-Front bearings Lubrication (G1/8")
- 5-Rear bearings Lubrication (G1/8")
- 6-Unloadng Lubrication Bearings (G1/8")
through aspiratation type Festo
- VAD 1/8 (6 bar)
- 7-Front-side pressurization filtered (5µm)
(1-1.5 bar) (G1/8")

3



- V blue phase V
- W black phase W
- U brown phase U
- PE yellow-green Earth
- 1 not connected
- 2 not connected
- + thermic switch PTC 130
- thermic switch PTC 130

Person Speed
INTERNATIONAL

SUBJECT :PSI RGC-125
 CUSTOMER :

Sheet :1 / 1

DIS. N° 6257-00

DATE : 23/08/2022