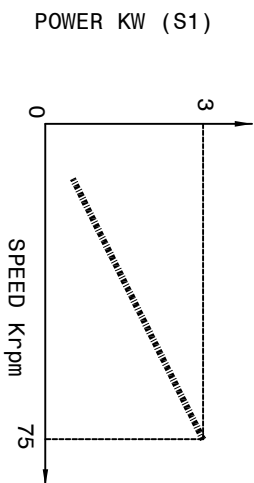
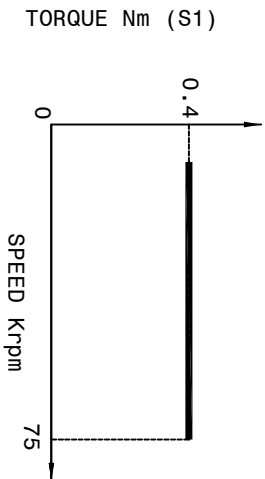
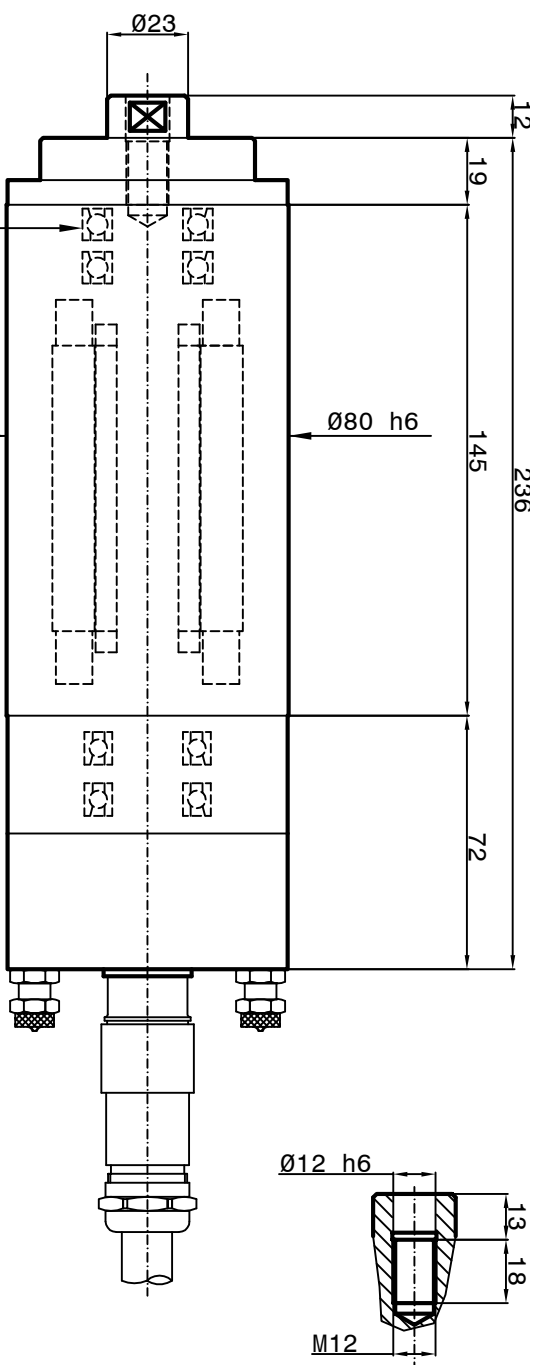
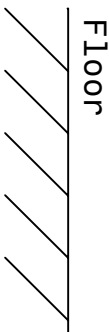
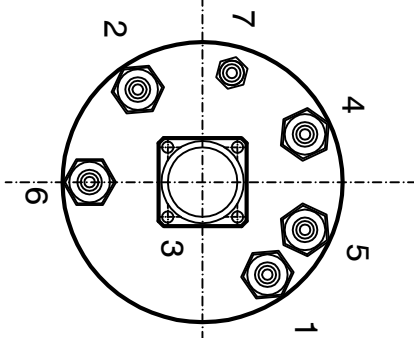


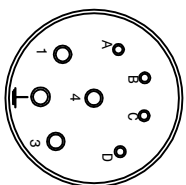
Cooling capacity = 650 Watt
 Air-Oil Lubrication
 Mobil DTE Light ISO VG 32



SPEED	RPM	75000
FREQUENCY	Hz	1250
POWER (S1)	KW	3
TORQUE (S1)	Nm	0.4
TENSION	V	380
CURRENT	A	7

- 1-Coolant inlet (G1/8")(3÷4 bar)(2÷3 L/min.)
- 2-Coolant outlet (G1/8")
- 3-Electric connection
Phases motor - Earth
Motor thermich switch (N°1 PTC 130)
- 4-Front bearings lubrication (G1/8")
- 5-Rear bearings lubrication (G1/8")
- 6-Unloading lubrication bearings (G1/8")
through aspiration type Festo
VAD 1/8 (6 bar)
- 7-Front-side pressurization filtered (5µm)
(1-1.5 bar) (G1/8")

3



- 1 brown phase U
- 3 blue phase V
- 4 black phase W
- A thermic switch PTC 130
- B not connected
- C not connected
- D not connected

Asincronous motor:2 poles

Runout taper 0.002mm

Peron Speed
INTERVAL

SUBJECT: PSI RGP-106

CUSTOMER :

Sheet: 1/1

Dis.n° 2052-00-01

DATE : 23/08/2022